

ENGLISH	3
SVENSKA	14
DEUTSCH	26
FRANÇAIS	38

OPERATING INSTRUCTIONS	Translation of original manual
BRUKSANVISNING	Original bruksanvisning
BETRIEBSANLEITUNG	Übersetzung der Originalbetriebsanleitung
MODE D'EMPLOI	Traduction du mode d'emploi original

F561PN

From series no 1402486

Från serienummer 1402486

Ab Serie-Nr. 1402486

A partir du no de série 1402486

Pneumatic Industrial stapler

Pneumatisk Planhäftare

Pneumatische Flachhefter

Agrafeuses por côtés



Before using the industrial stapler, read the operating instructions carefully.

Läs igenom bruksanvisningen noga innan du använder maskinen.

Vor dem Gebrauch der Flachhefter die Betriebsanleitung aufmerksam lesen.

Avant l'utilisation de l'appareil, consultez soigneusement le mode d'emploi.



TABLE OF CONTENTS

	Page
1 Technical data	2
2 General information	3
2.1 Information on environmental protection	3
3 Safety instructions	4
4 Description	5
4.1 Design	5
4.2 Function	5
5 Initial operation	6
5.1 Installation	6
5.2 Compressed air connection	6
6 Operating instructions	7
6.1 Loading the industrial stapler	7
6.2 Operating the industrial stapler	8
6.3 Control the clinch	9
7 Preventive and corrective maintenance	10
7.1 Lubrication	10
7.2 Cleaning the industrial stapler	10
7.3 Removing jammed staples	10
7.4 Adjustment stapling head bearing	11
7.5 Adjustment staple clinch	11
7.6 Replace stapling head	12
7.7 Replace feed spring or pusher	12
7.8 Replace driver blade or return springs	12
8 Trouble shooting	12
9 Parts list with recommended wear parts	50
Exploded drawing	51
10 Parts list - Head HH561/12-22	52
Exploded drawing	53

1

TECHNICAL DATA

Weight	42 kg (92,6 lbs)
Dimensions	Length 920 mm (36.2") Width 750 mm (29.5") Height 1350 mm (53.1")
Magazine capacity	300 staples
Staple leg length	15–22 mm (5/8" - 7/8")
Throat depth	400 mm (15.7")
Free anvil height	1000 mm (39.4")
Max. air pressure	7 bar (100 psi)
Recommended working air pressure	5 bar (72 psi)
Air consumption per driving operation at 6 bar operating pressure	2,0 litres
A-weighted single-event emission sound pressure level at work station	84 dB
A-weighted sound energy level	91 dB

FASTENERS

Staple JK561-15K (5/8")	Art.No 400145
Staple JK561-18K (3/4")	Art.No 400153
Staple JK561-22K (7/8")	Art.No 400158

SE JOSEF KIHMBERG AB

Industrigatan 37B

SE-544 50 HJO

Telephone: +46 503 328 00

Fax: +46 503 328 01

E-mail: reception@kihlberg.se

Internet: www.kihlberg.com

DECLARATION OF CONFORMITY



We take sole responsibility for declaring that the bottom stapler F561PN, to which this declaration refers, is in full compliance with the current requirements of the guidelines laid down by the council on 17th May 2006 (2006/42/EG) "Machine Guidelines".
Complies with norms: ISO 12100:2010

SE-544 50 HJO, 04.05.2020

Plant Manager:

Thor-Björn Elmers

Agent for the publication of technical documentation:
Josef Kihlberg AB, Industrigatan 37B SE-544 50 HJO

2

GENERAL INFORMATION



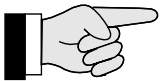
CAUTION!

Used where there is danger to life and health.



WARNING!

Used for danger which can cause material damage.



NOTE!

Used for general information and information which if not followed can cause faults in the operating sequence.

These operating instructions are intended to simplify familiarisation with the industrial stapler and the possibilities of application for the intended purpose. The operating instructions contain important information concerning the safe, proper and efficient use of the industrial stapler. Observation of the information will help to avoid danger, reduce repairs and stoppages and increase the reliability and service life of the industrial stapler.

The operating instructions must always be available at the place of operation of the industrial stapler. They must be read and observed by all persons concerned with work on the industrial stapler. This work specifically includes operation, refilling of operating material, fault elimination and maintenance.

In addition to the operating instructions and the regulations for accident prevention effective in the country of use and place of application, the recognised technical regulations for safety and proper working must also be observed.

2.1 INFORMATION ON ENVIRONMENTAL PROTECTION

This industrial stapler is manufactured without any physical or chemical substances which could be dangerous to health. For disposal of all the parts, the governmental instructions must be observed.

3

SAFETY INSTRUCTIONS



Inform yourself!
Read the operating instructions carefully.



Protect yourself!
When operating the industrial stapler, wear eye, and/or ear protection.



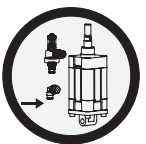
Warning: Danger of crushing!
Do not put your fingers underneath the protector. Do not remove protection covers.



Warning: Hazard!
Lay the compressed air hose so that there is no risk of tripping over it.



Do not exceed the air pressure!
Do not exceed the recommended air pressure.



Use safety coupling!
For connecting the air hose to the industrial stapler, use only a safety coupling.



Do not use a bottled air or gas source!
Do not operate this industrial stapler by using a bottled air or gas source.



Original JOSEF KIHMBERG staples must be used exclusively.



Original JOSEF KIHMBERG spare parts must be used exclusively!
Not using original spare parts will void the warranty and the liability.

Use for the intended purpose

The industrial stapler is intended for stapling corrugated cardboard.

This industrial stapler was designed and manufactured for safe handling during the stapling operation.

Possible misuse

The industrial stapler is designed to be used only with corrugated cardboard.

Servicing

The following maintenance work must be carried out at regular intervals, varying with working conditions and workload:

- daily check of compressed air pressure (4–6 bar).
- clean the industrial stapler regularly.
- check the condition of the industrial stapler at regular intervals for defects or worn parts. Never use a industrial stapler that has defective or worn parts (for service work refer also to chapters 7.1 and 7.2).

4

DESCRIPTION

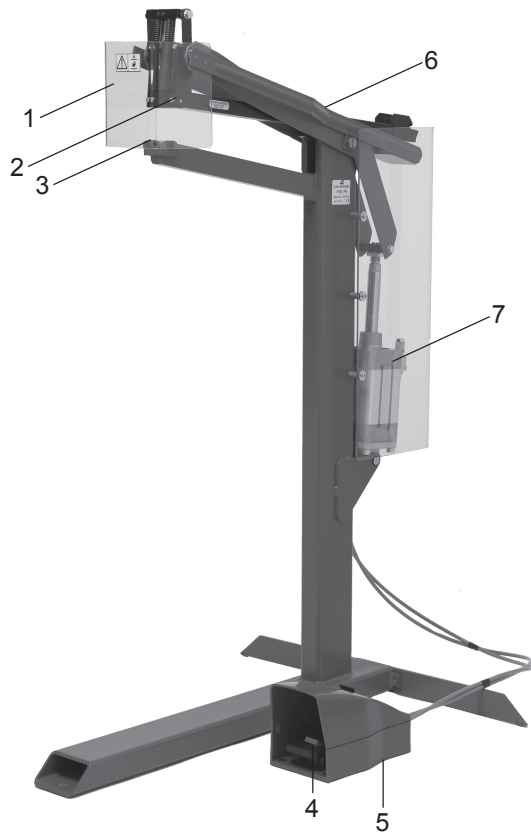


Fig. 1



Fig. 2

4.1 DESIGN

- 1 Protector
- 2 Stapling head
- 3 Anvil
- 4 Safety latch
- 5 Foot valve
- 6 Pusher
- 7 Pneumatic cylinder

4.2 FUNCTION

1. The pressure cylinder (Fig. 2/1) is activated by the foot valve (Fig. 2/2).
2. When you press the foot valve the cylinder presses the stapling head (Fig.2/3) against the manually positioned carton.
3. The stapling head automatically pushes a staple through the carton and the staple clinches against the anvil.
4. When you release the foot valve the stapling head is returned and the industrial stapler is ready for next stapling.



Warning: before stapling, ensure that no part of your body is underneath the protector.

5

INITIAL OPERATION

5.1 INSTALLATION


The industrial stapler is delivered with the rear foot disassembled. Assemble as following:

1. Remove the industrial stapler and the rear foot from the carton.
2. Assemble the rear foot according to Fig. 3. Tighten the two screws, (Fig. 3/1).
3. Place the industrial stapler on level, firm and working ground.



Lay the compressed air hose so that there is no risk of tripping over it.

5.2 COMPRESSED AIR CONNECTION

 Properly prepared compressed air is essential for troublefree operation of the industrial stapler. This can only be ensured by a reliably functioning maintenance unit, consisting of water separator, pressure reducing valve with pressure gauge.

The internal diameter of the pipe should be at least 10 mm ($\frac{3}{8}$ ”).

The industrial stapler doesn't need any lubrication. Connect and adjust the air pressure to the lowest possible, approx. 5,0 bars (72 psi), which clinch the staples correctly.

Never exceed the maximum permitted air pressure of 8 bar (110 psi). The maximum supply pressure is 8 Bar (110 psi).



Low air pressure will give low maintenance costs!



Fig. 3

6

OPERATING INSTRUCTIONS

6.1 LOADING THE INDUSTRIAL STAPLER



- Always use Josef Kihlberg original staples JK561-15, JK561-18 or JK561-22. The correct type of staple is marked on the left side of the magazine.
- Pull the pusher back and lift up the pusher into its rear holder.



Fig. 4

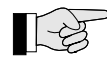


- Insert staple strips from the rear.
- Do not overload the magazine.

Fig. 5



- Release the pusher.



Do not release the pusher directly from the rear when the magazine is empty, carefully guide it forward.

Fig. 6

6.2 OPERATING THE INDUSTRIAL STAPLER

- Load the stapling head with staples, (refer to chapter 6.1). Ensure to use the right length of the staple (refer to chapter 6.3).
- Place the carton underneath the protector.



Warning: before stapling, ensure that no part of your body is underneath the protector.



Fig. 7

- Activate the foot valve.
- The stapling head presses the carton and automatically clinches the staple against the anvil.



Fig. 8



Fig. 9

- When you release the foot valve the stapling head will return.
- Move the carton to the next staple position and activate the foot valve again. Repeat until the correct amount of staples have been used.

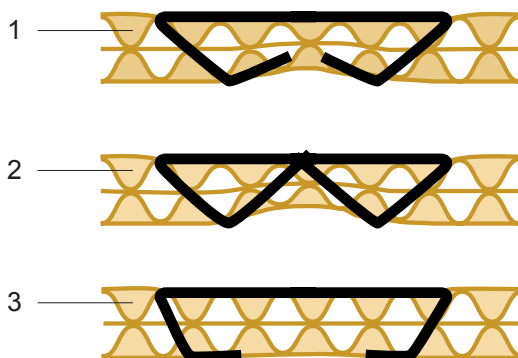


Fig. 10

6.3 CONTROL THE CLINCH

- 1 **Good clinch.**
- 2 Leg length of the staple too long.
- 3 Leg length of staple too short.



Always use Josef Kihlberg original staples: JK561-15, JK561-18 or JK561-22.

7

PREVENTIVE AND CORRECTIVE MAINTENANCE



Before carrying out any maintenance tasks on the industrial stapler always first disconnect it from the air supply.

7.1 LUBRICATION

The linkage bearings are greased at delivery. At regular intervals (monthly) lubricate them with oil. Also lubricate the moving parts in the stapling head with a few drops of oil.

7.2 CLEANING THE INDUSTRIAL STAPLER

This industrial stapler does not require special servicing. It only needs regular cleaning with a non-aggressive (non-corrosive) cleaning agent. Do not remove any parts for cleaning purposes!



Check the proper functioning of all safety devices daily. Make especially sure that:

- the foot valve safety latch and the protector move freely without binding or sticking.
- all screws and nuts are securely tightened.

7.3 REMOVING JAMMED STAPLES



Before carrying out any maintenance tasks on the industrial stapler always first disconnect it from the air supply.

- Pull the pusher back to take the pressure off the staple strip.
- Slightly loosen the five screws (Fig. 11/1 and 11/2) that hold the front plate one turn.
- Remove the jammed staple downwards.
- Retighten the five screws.

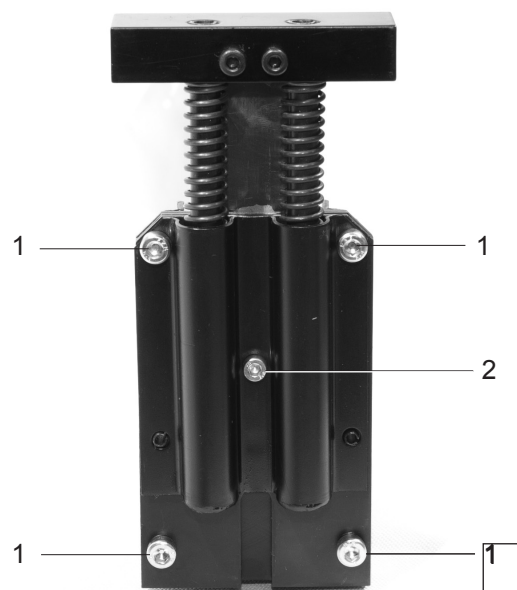


Fig. 11

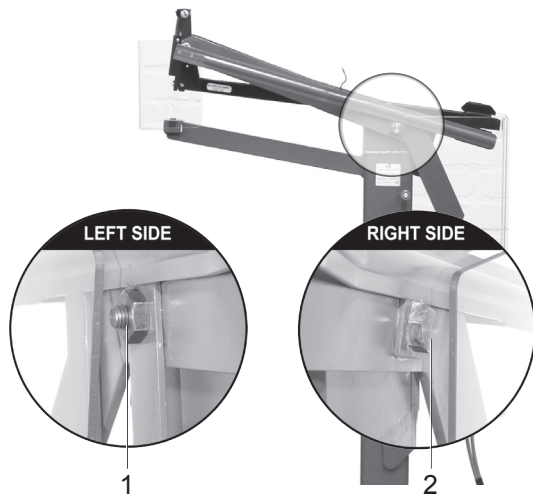


Fig. 12

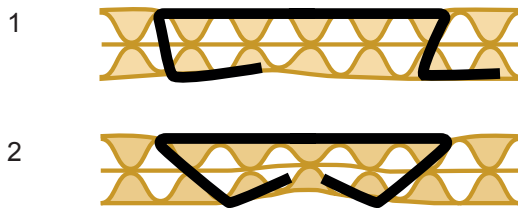


Fig. 13

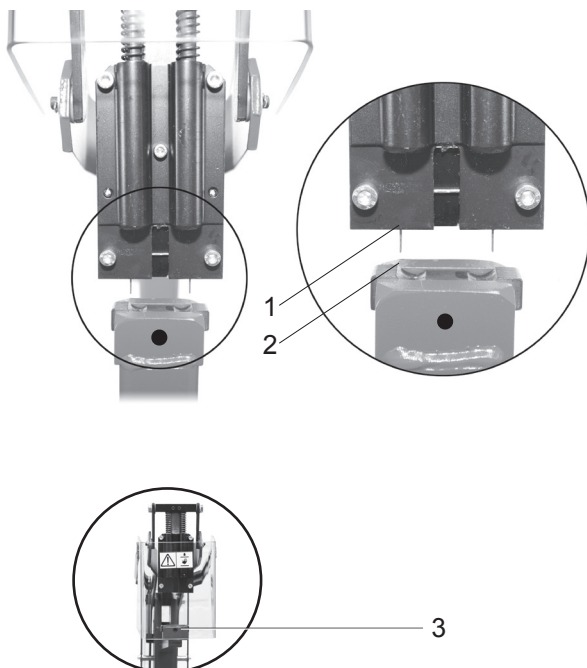


Fig. 14

7.4 ADJUSTMENT OF STAPLING HEAD BEARING

Upon delivery, the stapling head bearing is tight but easily movable. After being in use for a while, the bearing will have become worn and must be readjusted as follows:

- Loosen nut (Fig. 12/1) and screw (Fig. 12/2).
- Tighten screw (Fig. 12/2) to obtain just enough play.
- Lock with nut (Fig. 12/1).

7.5 ADJUST STAPLE CLINCH

Each industrial stapler is tested carefully before delivery. Following rough treatment during transport a screw may become loosened and the anvil may therefore have to be adjusted. Incorrect stapling may occur (Fig. 13/1).

- Press down a staple (Fig. 14/1) by hand until the staple legs are visible or insert a single staple into the canal.
- Move the staple head down towards the anvil (Fig. 14/2) and check that the staple legs hit the anvil symmetrically.
- If necessary, loosen the screw (Fig. 14/3) and centre the anvil to the staple. Remember to tighten the screw after adjustment.
- Make a test stapling in a piece of cardboard. If the anvil is correctly adjusted, the clinch should be as shown in (Fig. 13/2).

7.6 REPLACE STAPLING HEAD

1. Ensure that the air supply is disconnected.
2. Remove the remaining staples and place the pusher in its forward position.
3. Disassemble the two hexscrews holding the links to the stapling head. (Fig. 15/1)
4. Disassemble the two cylinder screws holding the stapling head to its bearing. (Fig. 15/2)
5. Replace the stapling head and assemble in reverse order.
6. Adjust the stapling head to the anvil as described (7.5).

7.7 REPLACE FEED SPRING OR PUSHER

1. Remove the stapling head as per (7.6).
2. Remove the tension pin (pos. 22, exploded drawing on page 53) with a punch with size 4,9 mm.
3. Dismantle the o-ring (pos.26) holding the lockpin (pos. 24) and remove the pin.
4. Remove the pusher (pos. 12), feed spring (pos. 18) and rollers (pos. 25).
5. Replace defective parts.
6. Assemble in reverse order.
7. Assemble the stapling head to the machine.
8. Adjust the stapling head as described (7.5)

7.8 REPLACE DRIVER BLADE / RETURN SPRINGS

1. Remove the stapling head as per chapter (7.6).
2. Dismantle the four screws (Fig. 16/1) and remove the unit from the rail.
3. Dismantle the screw (Fig. 16/2) and remove the spring guide.
4. Insert a large screwdriver into the channel and turn until the pins get lose from the front plate.
5. Remove the driver blade (pos. 6, exploded drawing on page 53).
6. Replace defective parts and replace it.
7. Assemble in reverse order. Please note that the bevel at the driver blade must be turned to the rear against the staples rail
8. Assemble the stapling head to the machine (7.6).
9. Adjust the stapling head as described (7.5)



Fig. 15

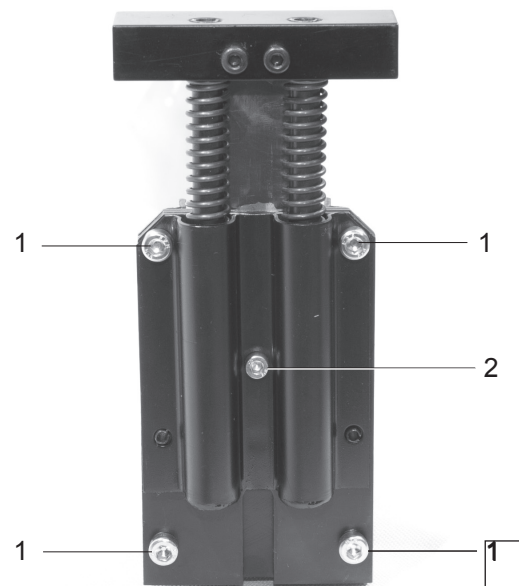


Fig. 16

8

TROUBLE SHOOTING



Before carrying out trouble shooting on the industrial stapler always first disconnect it from the air supply.

FAULT	ELIMINATION
Staples are not fed properly	<ul style="list-style-type: none"> – Check if the right type of staples is used. Always use Josef Kihlberg original staples. – Check if the feeder spring is not defective. If necessary replace. – Check if the staple pusher is not defective. If necessary replace. – Clean the staple track. – Check return spring in the stapling head. If necessary replace.
Staples are deformed when inserted	<ul style="list-style-type: none"> – Check if stapling head bearing has no play (refer to chapter 7.4). – Check if anvil is properly centered. (refer to chapter 7.5). Check if driver is not damaged. If necessary replace. – Check if the staple channel is clean.
Noise level is too high	<ul style="list-style-type: none"> – Check if the air pressure is correct, (5 bar/70 psi). – Check if the stroke speed is not unnecessarily high.
The carton is damaged by the stapling head	<ul style="list-style-type: none"> – Check if the air pressure is correct, (5 bar/70 psi). – Check if the stroke speed is not unnecessarily high.
The carton is not pressed together properly	<ul style="list-style-type: none"> – Check if the length of piston rod is adjusted properly. If necessary adjust.
Removing a staple which has got stuck	<ul style="list-style-type: none"> – Refer to chapter 7.3.

SVENSKA

INNEHÅLL

	Page
1 Tekniska data	14
2 Allmänt	15
2.1 Miljöinformation	15
3 Säkerhetsföreskrifter	16
4 Beskrivning	17
4.1 Sammansättning	17
4.2 Funktion	17
5 Idrifttagande	18
5.1 Installation	18
5.2 Anslut tryckluft	18
6 Användning	19
6.1 Ladda planhäftaren	20
6.2 Användning av planhäftaren	20
6.3 Kontrollera klammerns bockning	21
7 Förebyggande och avhjälpande underhåll	22
7.1 Smörjning	22
7.2 Rengöring av planhäftaren	22
7.3 Avlägsna en klammer som fastnat	23
7.4 Inställning av häfthuvudets lagring	23
7.5 Inställning av städ	
7.6 Byte av häfthuvud	24
7.7 Byte av frammatarfjäder eller frammatare	24
7.8 Byte av drivare eller returfjäder	24
8 Felsökning	25
9 Reservdelslista	50
Sprängskiss	51
10 Reservdelslista - häfthuvud	52
Sprängskiss	53

1

TEKNISK DATA

Vikt	42 kg (92,6 lbs)
Mått	Längd 920 mm (36.2") Bredd 750 mm (29.5") Höjd 1350 mm (53.1")
Magasinskapacitet	300 klammer
Klammerlängd	15 - 22 mm (5/8" - 7/8")
Häftdjup Fri städhöjd	400 mm (15.7") 1000 mm (39.4")
Max lufttryck	7 bar (100 psi)
Rekommenderat arbetstryck	5 bar (72 psi)
Luftförbrukning per slag vid 6 bar arbetstryck	2,0 liter
Deklarerad A-vägd ljudtrycksnivå vid operatörsplatsen för enstaka förlopp	84 dB
Deklarerad A-vägd ljudenerginivå	91 dB

KLAMMER

Klammer JK561-15K (5/8")	Art.Nr 400145
Klammer JK561-18K (3/4")	Art.Nr 400153
Klammer JK561-22K (7/8")	Art.Nr 400158

SE JOSEF KIHLBERG AB

Industrigatan 37B

SE-544 50 HJO

Telefon: +46 503 328 00
 Fax: +46 503 328 01
 E-post: reception@kihlberg.se
 Hemsida: www.kihlberg.com

FÖRSÄKRAN OM ÖVERENSSTÄMMELSE



Försäkrar härmed att bottenhäftaren F561PN, är tillverkad enligt följande harmoniserande standarder:

SS-EN ISO 12100:2010 samt följer rådets direktiv: 2006/42/EG

SE-544 50 HJO, 04.05.2020

Plant Manager:

Thor-Björn Elmers

Behörig att ställa samman den tekniska dokumentation
 +46 503 32800:

2

ALLMÄNT

Denna manual är framtagen för att förenkla kännedomen om planhäftaren och dess handhavande och applikationer. Manualen innehåller viktig information angående säkerhet, korrekt och effektiv användning. Genom att iakttaga denna information hjälper det till att förhindra olyckor och reducera reparationer och driftstörningar och förlänga livslängden på planhäftare.

Manualen skall alltid hållas tillgänglig i arbetsområdet för planhäftaren. Den skall läsas och förstås av all personal som använder häftaren.

Som tillägg till manualen skall bestämmelse för förebyggande olycksfallsrisker följas för det land där produkten används. Det skall också iakttas tekniska förordningar angående säker och riktig användning.



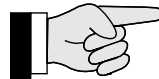
FÖRBUD!

Symbolen används vid fara för liv och lem.



VARNING!

Symbolen används vid risk för materiella skador.



OBSERVERA

Symbolen används för allmänna instruktioner samt för instruktioner som måste följas för att undvika störningar i driften.

2.1 MILJÖINFORMATION

Denna planhäftare är tillverkad utan några fysisk eller kemiska substanser vilka kan vara farliga för hälsan. För avfallshantering av samtliga delar skall regeringens lagar och förordningar följas.

3

SÄKERHETSFÖRESKRIFTER



Informera dig!
Läs igenom bruksanvisningen noga.

Användningsområde

Planhäftaren är avsedd för att häfta wellpappkartonger.

Planhäftaren är konstruerad för säker hantering under klamringen.



Skyddsutrustning!
Bär skyddsutrustning för ögon och öron när du använder planhäftaren.

Möjlig felanvändning

Planhäftaren är konstruerad för att enbart häfta i wellpapp.



Varning: Akta fingrarna!
Stoppa inte fingrar eller andra kroppsdelar under skyddet. Plocka inte bort skyddet.

Underhåll

Följande underhåll måste genomföras regelbundet beroende på arbetsmiljö och volym:

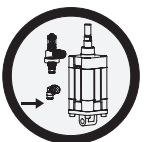
- daglig kontroll av arbetstryck. (4–6 bar).
- regelbunden rengöring av planhäftaren.
- kontrollera regelbundet konditionen på häftaren och se till att inga defekta eller utslitna delar förekommer. (för mer information angående service se 7.1 and 7.2).



Varning: Snubbelrisk!
Lägg tryckluftsslangen så att det inte finns någon risk för att snubbla över den.



Överskrid inte luftrycket!
Överskrid inte rekommenderat luftryck.



Använd säkerhetskoppling!
Anslut luftslangen till planhäftaren endast med säkerhetskoppling.



Använd aldrig gas från högtryckstuber!
Använd aldrig planhäftaren med gas från högtryckstuber.



Använd alltid Josef Kihlberg original klammer.



Endast original-reservdelar från JOSEF KIHHLBERG får användas!
I annat fall upphävs garanti och övrigt ansvar från tillverkaren!

4

BESKRIVNING

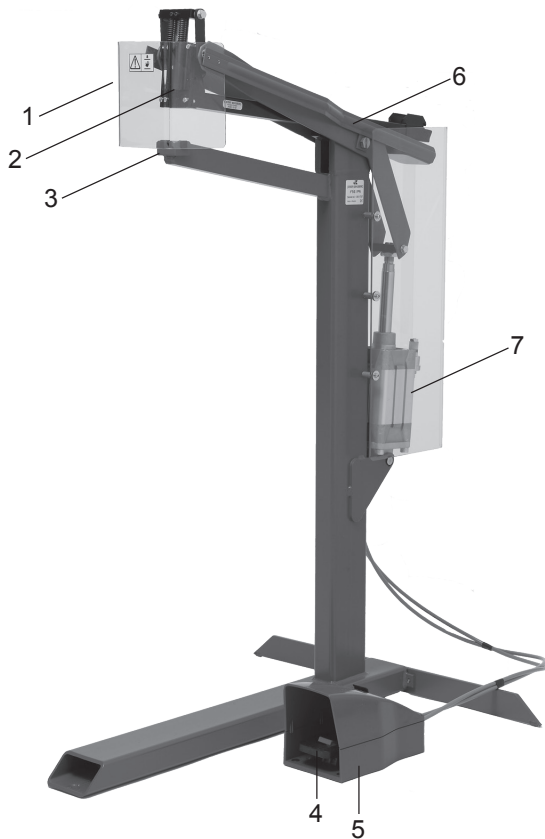


Fig. 1



Fig. 2

4.1 SAMMANSÄTTNING

- 1 Skydd
- 2 Häfthuvud
- 3 Häftstöd
- 4 Säkerhetsspärr
- 5 Fotventil
- 6 Frammatare
- 7 Pneumatisk cylinder

4.2 FUNKTION

1. Den pneumatiska cylindern (Fig. 2/1) aktiveras genom fotventilen (Fig. 2/2).
2. När du trycker ner fotventilen, så aktiveras cylindern som pressar häfthuvudet (Fig. 2/3) mot kartongen.
3. När du aktiverar fotpedalen förs automatiskt en klammer ut ur häfthuvudet genom kartongen och böjs mot stödet.
4. När du avaktiverar fotpedalen returnerar häfthuvudet automatiskt och häftaren är klar för nästa klammer.



Varning innan du häftar, säkerställ att ingen del av din kropp är under beröringsskyddet.

5

IDRIFTTAGANDE

5.1 INSTALLATION

Planhäftaren är levererad med bakre foten demonterad. Monteras enligt följande:

Tag ur planhäftaren ur kartongen. Bakre foten är bipackad inuti stativet skyddad med wellpapp.

Montera bakre foten till stativet enligt Fig. 3. och drag fast skruvarna.

Placera planhäftaren på ett rent plant underlag.



Placera tryckluftsslangen så att den ej utgör något hinder.

5.2 ANSLUT TRYCKLUFT



Häftaren behöver ren och torr tryckluft för en långsiktig problemfri drift. Detta kan enklast uppnås med en luftberedare som inkluderar vattenavskiljare och luftregulator med manometer. Tryckluftsslangens innerdiameter bör vara minst 10 mm ($\frac{3}{8}$ ”).

Planhäftaren behöver inte någon tillsatssmörjning. Använd lägsta möjliga luftryck.

Börja med 5.0 bar (72 psi) och öka i steg om 0.5 bar tills klammern böjs på rätt sätt.

Högsta tillåtna tryck är 8 bar (110 psi), och maximalt matartryck är 8 bar (110 psi).



Lågt arbetstryck innebär låga underhållskostnader.

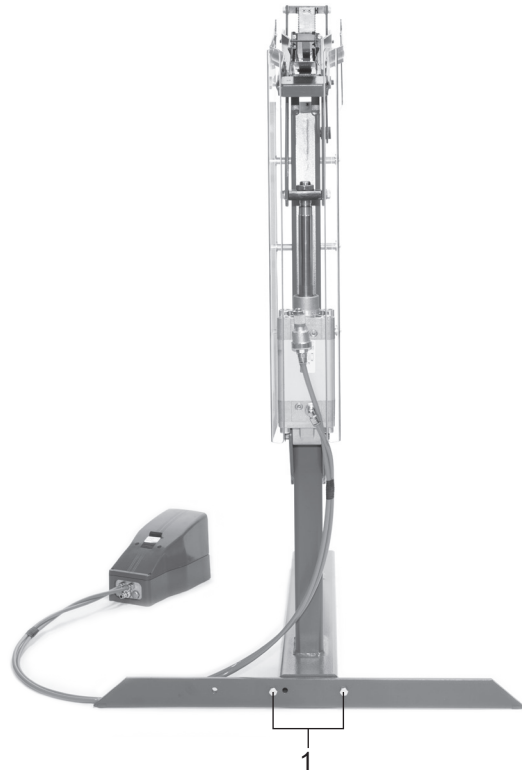


Fig. 3

6

ANVÄNDNING

6.1 LADDA PLANHÄFTAREN



Använd alltid Josef Kihlberg original klammer:
JK561-15, JK561-18 or JK561-22.

På häfthuvudets vänstra sida finns en etikett som
visar aktuell klammertyp.

Dra frammataren bakåt och lyft upp den i sin bakre
hållare.



Fig. 4



Fig. 5

- Klammerstavarna förs in bakifrån.
- Ladda inte så många klammer i magasinet att frammataren skadas när slutstycket fälls ner igen.



Fig. 6

- Frigör frammataren.



Släpp aldrig frammataren från sitt bakersta
läge vid tomt magasin, utan för fram det
försiktigt för hand.

6.2 ANVÄNDNING AV PLANHÄFTAREN

- Ladda magasinet med klammer om det är tomt (se kapitel 6.1). Kontrollera att du laddat med rätt benlängd av klammern (se kapitel 6.3).
- Placera kartongen under skyddet.



Varning! Innan du påbörjar häftning, kontrollera att ingen kroppsdel finns under skyddet.



Fig. 7

- Aktivera fotventilen.
- Häfthuvudet pressas mot kartongen och bockar klammern automatiskt mot häftstället.



Fig. 8



Fig. 9

- När du släpper upp fotventilen så återvänder häft-huvudet till sitt ursprungsläge.
- Flytta kartongen till nästa klamringsläge och aktivera fotventilen igen. Upprepa detta tills rätt antal klamringar har uppnåtts.

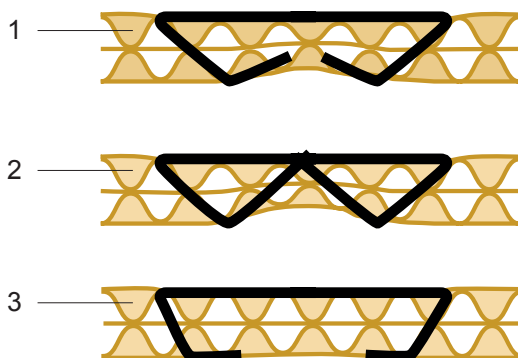


Fig. 10

6.3 KONTROLLERA KLAMMERNS BOCKNING

- 1 Bra bockning av klammern.
- 2 För lång benlängd av klammern.
- 3 För kort benlängd av klammern.



Använd alltid Josef Kihlberg original klammer: JK561-15, JK561-18 eller JK561-22.

7

FÖREBYGGANDE OCH AVHJÄLPANDE UNDERHÅLL



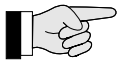
När du utför underhållsarbete av planhäftaren, måste du alltid koppla bort tryckluften.

7.1 SMÖRJNING

Lagringar och länksystem är insmorda vid leveransen. Därefter rekommenderar vi några droppar olja en gång per månad på rörliga delar.

7.2 RENGÖRING AV PLANHÄFTAREN

Denna planhäftare behöver inget speciellt underhåll. Den behöver regelbunden rengöring med ett neutralt rengöringsmedel (ej frätande). Demontera inte några delar vid rengöring.



Kontrollera dagligen säkerhetsutrustningar som fotventilens säkerhetsspärr och beröringsskydd.

- Säkerhetsspärren och beröringsskyddets funktion och rörlighet.
- Kontrollera samtidigt att alla skruvar och muttrar är åtdragna.

7.3 AVLÄGSNA EN KLAMMER SOM FASTNAT



När du utför underhållsarbete av planhäftaren, måste du alltid koppla bort tryckluften.

- Lossa de fem skruvarna (Fig. 11/1 och 11/2), som håller den främre kulissen, ett varv.
- Ta bort den fastnade klammern nedåt.
- Dra åt de fem skruvarna igen.

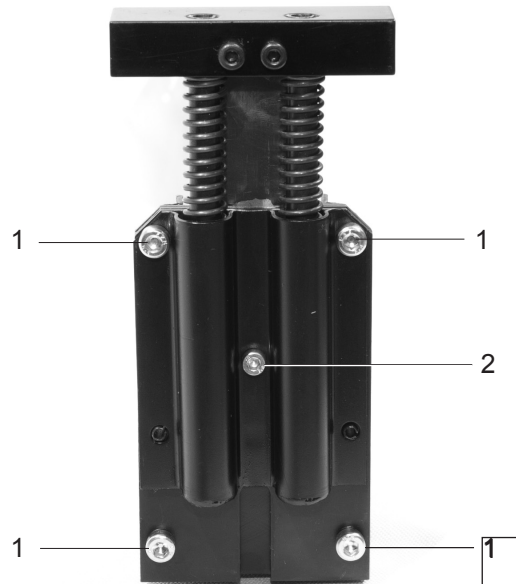


Fig. 11

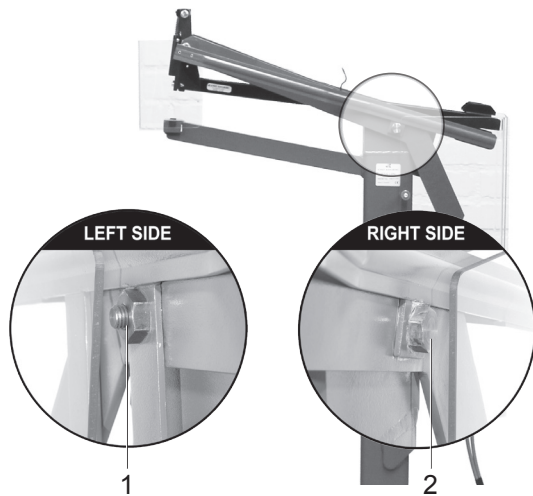


Fig. 12

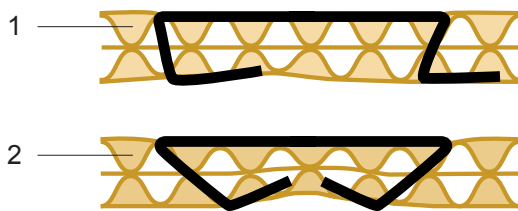


Fig. 13

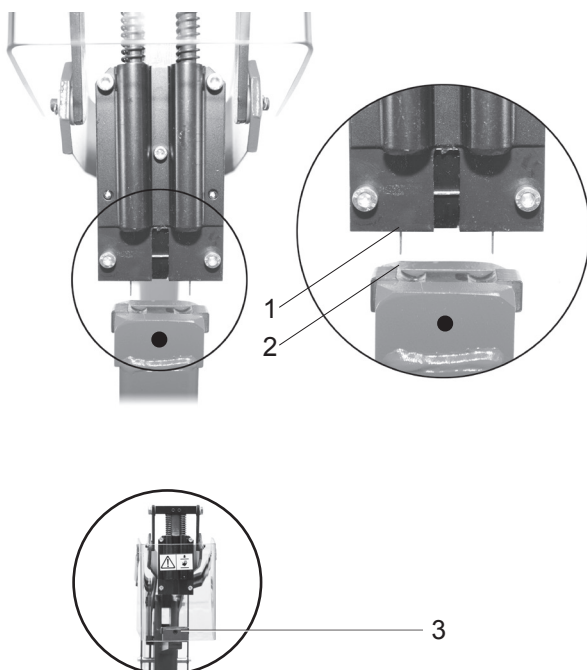


Fig. 14

7.4 INSTÄLLNING AV HÄFTHUVUDETS LAGRING

När häftaren har använts en längre tid kan ett glapp uppstå i häfthuvudets lagring så att en justering kan behövas:

- Lossa muttern (Fig. 12/1) och skruven (Fig. 12/2).
- Drag åt skruven (Fig. 12/2) för att minska glappet.
- Lås skruven med muttern (Fig. 12/1).
- Kontrollera häfthuvudets rörlighet så att det ej kärvar.

7.5 INSTÄLLNING AV STÅDET

Planhäftaren är noggrant testad före leveransen. P.g.a hantering under transporten kan häfthuvudets läge förändras och en finjustering av städet behövas. Se (Fig. 13/1) som visar en defekt klamring.

- Tryck ned häfthuvudet (Fig. 14/1) manuellt, tills en klammer visas i drivarstyrningen eller placera en för hand in i styrningen.
- Tryck häfthuvudet manuellt tills klammern når städet. (Fig. 14/2) klammern skall träffa städsåålarna symmetriskt.
- Om städet behöver justeras, lossa skruven (Fig. 14/3) och centrera städet så att klammer träffar såålarna symmetriskt. Drag åt låsskruven efter justeringen.
- Gör en test genom att klamma i en kartong. En klamring med korrekt justerat städ visas i (Fig. 13/2).

7.6 BYTE AV HÄFTHUVUD

1. Säkerställ att tryckluften är borttagen och att häftaren är trycklös.
2. Tag bort eventuella klammmor från klammerbanan och för frammataren till sitt främre läge.
3. Demontera de två skruvarna vid främre länkarna. (Fig. 12/1).
4. Demontera de två skruvarna som håller häfthuvudet. (Fig. 12/2).
5. Byt ut häfthuvudet och montera i omvänd ordning.
6. Justera häfthuvudet så att klammern bockas symmetriskt. (se 7.5).

7.7 BYTE FRAMMATARFJÄDER ELLER FRAMMATARE

1. Demontera häfthuvudet enligt 7.6.
2. Demontera spännstift med ett dorn.
3. Tag bort o-ringen som låser niten.
4. Demontera frammataren, fjäderdistanser med fjädern.
5. Byt defekt frammatare eller fjäder.
6. Montera i omvänd ordning.
7. Justera häfthuvudet så att klammern bockas symmetriskt. (se 7.5).

7.8 BYTE AV DRIVARE / RETURFJÄDRAR

1. Demontera häfthuvudet enligt 7.6.
2. Tag bort eventuella klammmor från klammerbanan och för frammataren till sitt främre läge.
3. Demontera de fyra skruvarna (Fig 13/1) och demontera de drivande delarna från klammerbanan.
4. Tag bort skruv (Fig 13/2) som håller de drivande delarna på plats.
5. Demontera fjäderstyrningen.
6. För in en stor skruvmejsel försiktigt i drivarkanalen och vrid så att spännstiften släpper från kulissen.
7. Demontera distansen.
8. Byt drivaren O.B.S montera den så att fasen på drivaren är vänd bakåt mot klammermagasinet.
9. Montera i omvänd ordning.
10. Montera häfthuvudet och justera detta så att klammern bockas symmetriskt. (se 7.5).

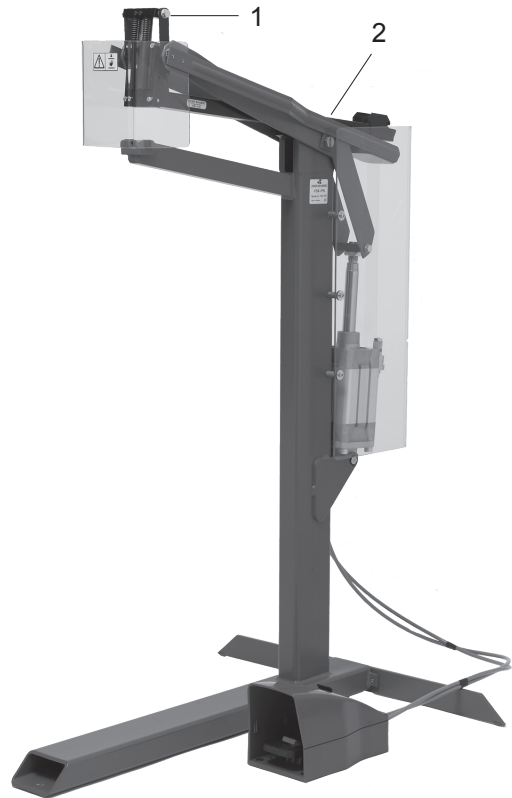


Fig. 15

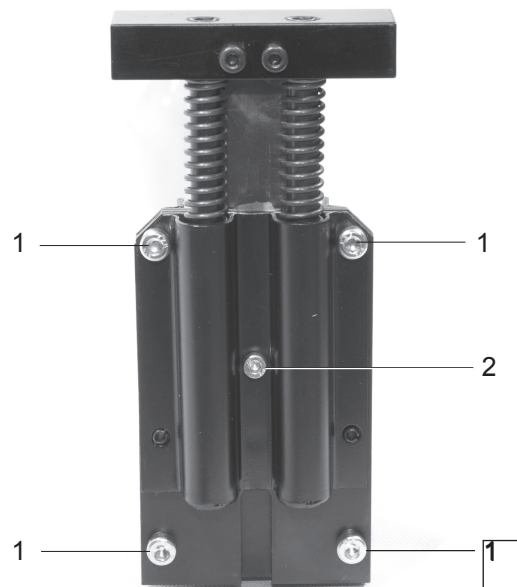


Fig. 16

8

FELSÖKNING



När du utför underhållsarbete av planhäftaren, måste du alltid koppla bort tryckluften.

FEL	MÖJLIG ORSAK / LÖSNING
Klammern matas inte fram korrekt	<ul style="list-style-type: none"> – Kontrollera att rätt sorts klammer används. Använd alltid Josef Kihlberg original klammer. – Kontrollera att frammatarfjäders är felfri. Vid behov byt ut den. – Kontrollera att frammataren är felfri. Vid behov byt ut den. – Rengör klammerbanan från smuts. – Kontrollera att returfjäders i häfthuvudet är felfri. Vid behov byt ut den.
Klammer deformeras vid häftning	<ul style="list-style-type: none"> – Kontrollera att häfthuvudets lagring är glappfri. Justera vid behov. – Kontrollera att häftstället är rätt centrerat. Justera vid behov. – Kontrollera att drivaren inte är skadad. Vid behov byt ut den. – Kontrollera att klammerloppet är rent.
Ljudnivån är för hög	<ul style="list-style-type: none"> – Kontrollera att lufttrycket är rätt, (5 bar/70psi).
Kartongen slås sönder av häfthuvudet	<ul style="list-style-type: none"> – Kontrollera att lufttrycket är rätt, (5 bar/70psi).
Avlägsna en klammer som fastnat	<ul style="list-style-type: none"> – Läs mer i kapitel 7.3.

DEUTSCH

INHALTSVERZEICHNIS

	Seite
1 Technische Daten	26
2 Allgemeines	27
2.1 Hinweis zum Umweltschutz	27
3 Sicherheitsvorschriften	28
4 Beschreibung	29
4.1 Aufbau	29
4.2 Funktion	29
5 Inbetriebnahme	30
5.1 Inbetriebnahme	30
5.2 Druckluftaufbereitung	30
6 Bedienung	31
6.1 Magazin mit Klammern laden	31
6.2 Bedienung der Flachhefter	32
6.3 Heftung kontrollieren	33
7 Wartung und Instandsetzung	34
7.1 Schmierung	34
7.2 Reinigung	34
7.3 Steckengebliebene Klammern entfernen	34
7.4 Einstellung des Heftkopflagers	35
7.5 Einstellung der Rillplatte	35
7.6 Heftkopf ersetzen	36
7.7 Druckfeder und Schieber ersetzen	36
7.8 Treiberplatte und Druckfedern ersetzen	36
8 Störungsbehebung	37
9 Teileliste mit empfohlenen Ersatzteilen	50
Explosionszeichnung	51
10 Teileliste - Kopf HH561/12-22	52
Explosionszeichnung	53

1

TECHNISCHE DATEN

Gewicht	42 kg
Abmessungen	Länge 920 mm Breite 750 mm Höhe 1350 mm
Magazinkapazität	300 Klammern
Klammern-Schenkellänge	15 - 22 mm
Einlegetiefe	400 mm
Arbeitshöhe	1000 mm
Max. Luftdruck	7 bar
Empfohlener Arbeits-Luftdruck	5 bar
Druckluftverbrauch bei 6 bar Arbeitsdruck	2,0 Liter
A-bewerteter Emissions-Schalldruckpegel am Arbeitsplatz	84 dB
A-bewerteter Schalldruckpegel Energieniveau	91 dB
Klammern	
Klammer JK561-15K	Artikel-Nr. 400145
Klammer JK561-18K	Artikel-Nr. 400153
Klammer JK561-22K	Artikel-Nr. 400158

SE JOSEF KIHMBERG AB

Industrigatan 37B

SE-544 22 HJO

Telephone: +46 503 328 00

Fax: +46 503 328 01

E-mail: reception@kihlberg.se

Internet: www.kihlberg.com

KONFORMITÄTSERKLÄRUNG



Wir erklären in alleiniger Verantwortung, dass die Maschine F561PN, auf die sich diese Erklärung bezieht, mit den geltenden Bestimmungen der Richtlinie des Rates vom 17. Mai 2006 (2006/42/EG) „Maschinen-Richtlinie“ übereinstimmt.

Berücksichtigte Normen: ISO 12100:2010

SE-544 50 HJO, 04.05.2020

Plant Manager:

Thor-Björn Elmers

Bevollmächtigte zur Herausgabe von technischen Unterlagen:
Josef Kihlberg AB, Industrigatan 37B, SE-544 50 HJO

2

ALLGEMEINES



VORSICHT!

Wird verwendet bei Gefahren für Leben und Gesundheit.

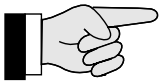
Diese Betriebsanleitung soll das Kennenlernen der Maschine und den bestimmungsgemässen Einsatz erleichtern. Die Betriebsanleitung enthält wichtige Hinweise, wie die Maschine sicher, sachgerecht und wirtschaftlich einzusetzen ist. Das Einhalten der Hinweise hilft Gefahren vermeiden, Reparaturen und Ausfallzeiten vermindern sowie die Zuverlässigkeit und Lebensdauer der Maschine zu erhöhen.



ACHTUNG!

Wird verwendet bei Gefahren, die Sachschäden verursachen können.

Die Betriebsanleitung muss am Einsatzort der Maschine verfügbar sein. Sie ist von allen Personen zu lesen und anzuwenden, die mit der Maschine arbeiten. Zu diesen Arbeiten zählen insbesondere die Bedienung, die Störungsbehebung und die Wartung.



HINWEIS!

Wird verwendet für allgemeine Hinweise und für Hinweise, bei deren Nichtbeachtung Störungen im Betriebsablauf entstehen können.

Neben der Betriebsanleitung und den im Verwenderland und an der Einsatzstelle geltenden Regelungen zur Unfallverhütung sind auch die anerkannten fachtechnischen Regeln für sicherheits- und fachgerechtes Arbeiten zu beachten.

2.1 HINWEIS ZUM UMWELTSCHUTZ

Für die Herstellung dieser Maschine werden keine gesundheitsschädigenden physikalischen oder chemischen Stoffe verwendet. Für die Entsorgung sind die gültigen gesetzlichen Vorschriften zu berücksichtigen.

3

SICHERHEITSVORSCHRIFTEN



Informieren Sie sich!
Vor dem Gebrauch der Maschine die Betriebsanleitung sorgfältig lesen.



Verwenden Sie nur Original-JOSEF KIHBERG Klammern.



Schützen Sie sich!
Beim Arbeiten, Gehörschutz und Schutzbrille tragen.



Verwenden Sie nur Original-JOSEF KIHBERG-Ersatzteile!
Die Verwendung von anderen als JOSEF KIHBERG-Ersatzteilen schliesst Garantieleistungen und Haftpflicht aus.



Vorsicht: Quetschgefahr!
Mit den Fingern nicht unter die Schutzabdeckung greifen. Schutzabdeckung nicht entfernen.



Achtung: Stolperstelle!
Druckluftschlauch so verlegen, dass sich keine Stolperstelle bildet.

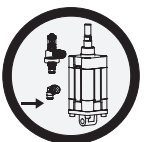


Luftdruck nicht überschreiten!
Den vorgeschriebenen Luftdruck nicht überschreiten.

Bestimmungsgemässe Verwendung

Diese Flachhefter ist zum Heften von Wellpappkartons bestimmt.

Diese Flachhefter wurde für eine sichere Bedienung während des Heftens entwickelt und gebaut.



Original Anschlusskupplungen verwenden!
Es dürfen nur Anschlusskupplungen verwendet werden, die den Sicherheitsvorschriften entsprechen.

Möglicher Missbrauch

Diese Flachhefter kann ausschliesslich zum Heften von Wellpappkartons verwendet werden.



Keine Gas- oder Druckluftflaschen verwenden!
Die Maschine darf nicht an eine Gas- oder Druckluftflasche angeschlossen werden.

Wartungsarbeiten

Je nach Arbeitsverhältnissen und Beanspruchung sind periodisch folgende Wartungsarbeiten durchzuführen:

- Tägliche Kontrolle des Luftdruckes (4–6 bar)
- Regelmässige Kontrolle der Wartungseinheit (Ölstand, Wasserabscheider, Filter)
- Flachhefter regelmässig reinigen.
- Regelmässig den Zustand der Flachhefter auf defekte oder abgenutzte Teile prüfen.

Arbeiten Sie nie mit einer Flachhefter, die defekte oder abgenutzte Teile aufweist (siehe Kapitel 7.1 und 7.2).

4

BESCHREIBUNG

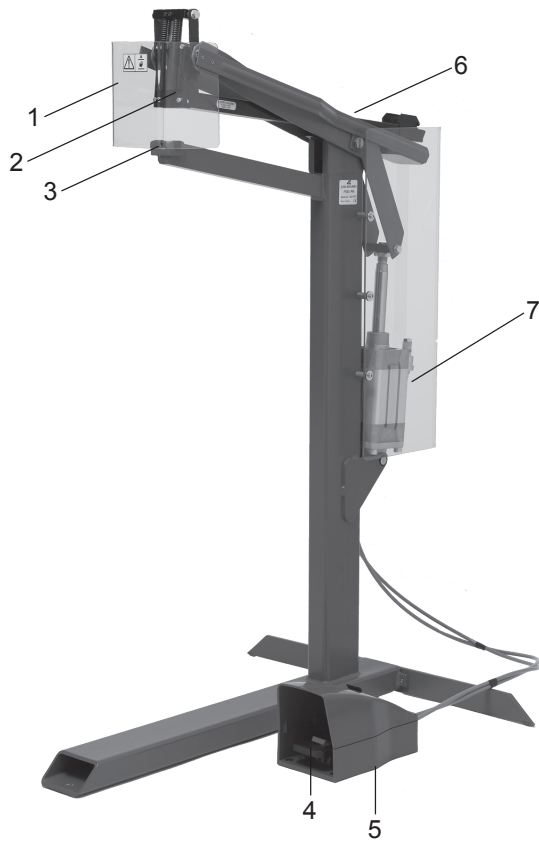


Fig. 1

4.1 AUFBAU

- 1 Schutzabdeckung
- 2 Heftkopf
- 3 Rillplatte
- 4 Sicherheitsverriegelung
- 5 Fusspedal
- 6 Schieber
- 7 Druckluftzylinder



Fig. 2

4.2 FUNKTIONSPRINZIP

1. Der Druckzylinder (Fig. 2/1) wird durch das Fusspedal (2/2) aktiviert.
2. Durch die Betätigung des Fusspedals, drückt der Druckzylinder den Heftkopf (Fig. 2/3) gegen den manuell positionierten Wellkarton.
3. Der Heftkopf drückt automatisch eine Heftklammer durch den Karton und danach die Klammer gegen die Rillplatte.
4. Wird das Fusspedal deaktiviert, fährt der Heftkopf nach oben. Die Flachhefter ist bereit für die nächste Heftung.



Vor dem Heften sicherstellen, dass sich keine Körperteile unter der Schutzabdeckung befinden.

5

INBETRIEBNAHME

5.1 INBETRIEBNAHME

Die Flachhefter wird mit demontiertem hinteren Fuss geliefert. Maschine folgendermassen montieren:

1. Flachhefter und hinteren Fuss aus Verpackung entfernen.
2. Hinteren Fuss mit den zwei mitgelieferten Schrauben befestigen siehe Fig. 3/1.
3. Flachhefter auf einen geraden, sauberen Untergrund stellen.



Druckluftschlauch so verlegen, dass sich keine Stolperstelle bilden kann.

5.2 DRUCKLUFTAUFBEREITUNG



Einwandfrei aufbereitete Druckluft ist Voraussetzung für einen störungsfreien Betrieb der Flachhefter. Dies kann nur durch eine funktionssichere Wartungseinheit erfüllt werden, welche aus Wasserabscheider, Druckreduzierventil mit Manometer und Ölnebelgerät besteht.

Die lichte Weite der Leitung soll minimum 10 mm betragen. Es muss darauf geachtet werden, dass der Schlauch keine Schlaufen bildet, in welchen sich Öl sammeln kann.

Luftdruck so tief einstellen, dass die Klammern immer noch korrekt gebogen werden.



Starten sie mit einem Druck von ca. 5,0 bar, danach erhöhen sie den Druck jeweils um 0,5 bar, bis die Klammern korrekt gebogen werden.

Den maximal zulässigen Luftdruck von 8,0 bar niemals überschreiten.

Niedriger Luftdruck führt zu niedrigen Wartungskosten!

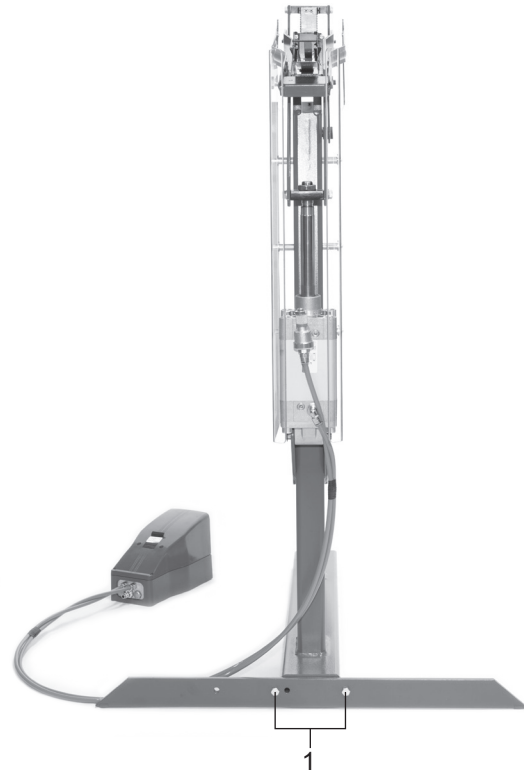


Fig. 3

6

BEDIENUNG

6.1 MAGAZIN MIT KLAMMERN LADEN



- Immer Josef Kihlberg Originalklammern verwenden (JK561-15, JK561-18 or JK561-22). Der genaue Klammerstyp ist auf jedem Heftkopf vermerkt.
- Den Schieberkolben nach hinten ziehen und die Magazinabdeckung hochheben. Schieberkolben ist fixiert.



Fig. 4



- Klammerstreifen von hinten ins Magazin einführen.
- Das Magazin niemals überfüllen, da sonst der Schieberkolben beim herunterlassen der Abdeckung beschädigt werden kann.

Fig. 5



- Magazinabdeckung herunterlassen und Schieberkolben vorsichtig nach vorne fahren.



Niemals bei leerem Magazin den Schieberkolben in der hinteren Stellung loslassen, sondern vorsichtig von Hand führen.

Fig. 6

6.2 BEDIENUNG DER Flachhefter

- Falls das Heftkopfmagazin leer ist, mit Klammern auffüllen, siehe Kapitel 6.1. Sicherstellen das die richtigen Klammern (Schenkellänge) verwendet werden, siehe Kapitel 6.3.
- Zu heftenden Wellkarton unter der Schutzabdeckung positionieren.



Vor dem Heften sicherstellen, dass sich keine Körperteile unter der Schutzabdeckung befinden.



Fig. 7

- Fusspedal betätigen. Der Heftkopf fährt nach unten dabei wird die Klammer gegen die Rillplatte gepresst und umgebogen.



Fig. 8



Fig. 9

- Fusspedal deaktivieren. Der Heftkopf fährt nach oben.
- Wellkarton zur nächsten Heftposition führen und Fusspedal wieder betätigen. Vorgang wiederholen, bis genügend Heftungen angebracht sind.

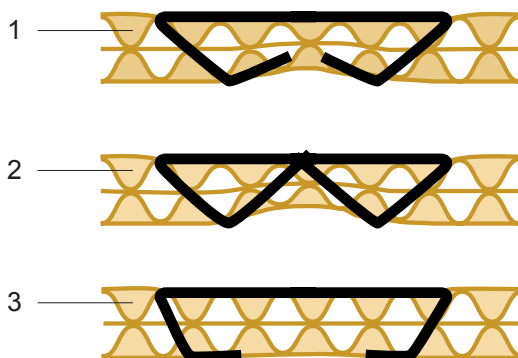


Fig. 10

6.3 HEFTUNG KONTROLLIEREN

- 1 **Gute Heftung.**
- 2 Klammerschenkel zu lang.
- 3 Klammerschenkel zu kurz.



Immer Josef Kihlberg Originalklammern verwenden (JK561-15, JK561-18 or JK561-22).

7

WARTUNG UND INSTANDSETZUNG



Für alle Wartungs- und Instandsetzungsarbeiten die Flachhefter von der Druckluftzufuhr trennen.

7.1 SCHMIERUNG

Die Gelenklager sind bei Auslieferung eingefettet. Bei Bedarf die Gelenklager regelmässig schmieren. Ebenfalls die Heftkopflagerung sowie alle beweglichen Teile des Heftkopfes regelmässig mit einigen Tropfen Öl schmieren.

7.2 REINIGUNG

Dieser Flachhefter erfordert keine besondere Wartung. Regelmässig mit einem nicht-aggressiven (nicht korrosiv) Reinigungsmittel die Maschine reinigen. Für die Reinigung sind keine Teile zu entfernen!



Prüfen Sie täglich das ordnungsgemässe Funktionieren aller Sicherheitseinrichtungen. Besonders zu überprüfen sind:

- das richtige Funktionieren der Sicherheitslasche am Fusspedal, sowie die Funktion der Schutzabdeckung.
- dass alle Schrauben und Muttern korrekt angezogen sind.

7.3 STECKENGEBLIEBENE KLAMMERN ENTFERNEN



Für alle Wartungs- und Instandsetzungsarbeiten die Flachhefter von der Druckluftzufuhr trennen.

- Den Schieberkolben nach hinten ziehen um den Klammersteifen zu entlasten.
- Die fünf Zylinderschrauben (Fig. 11/1 und 11/2) eine Umdrehung lösen.
- Steckengebliebene Klammern nach unten entfernen.
- Die fünf Zylinderschrauben wieder festziehen.

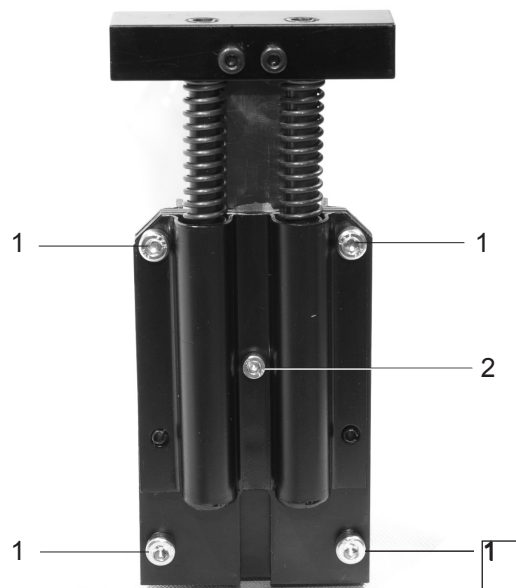


Fig. 11

7.4 EINSTELLUNG DES HEFTKOPFLAGERS

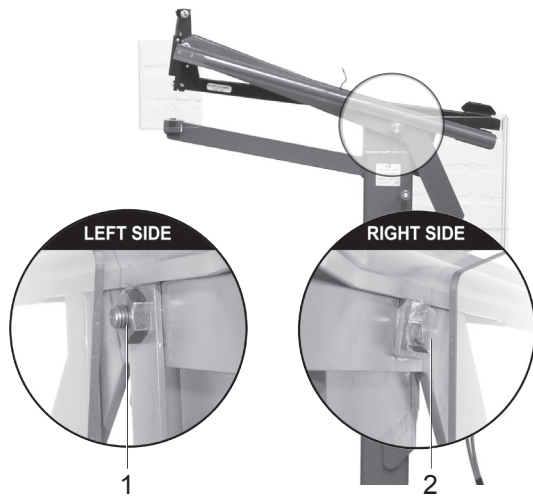


Fig. 12

7.5 EINSTELLUNG DER RILLPLATTE

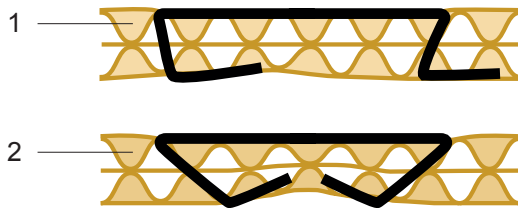


Fig. 13

Jede Flachhefter wurde vor der Auslieferung genau geprüft. Es könnte sich jedoch beim Transport eine Schraube gelöst haben, welches ein unkorrektes Heften (Fig. 13/1) verursacht.

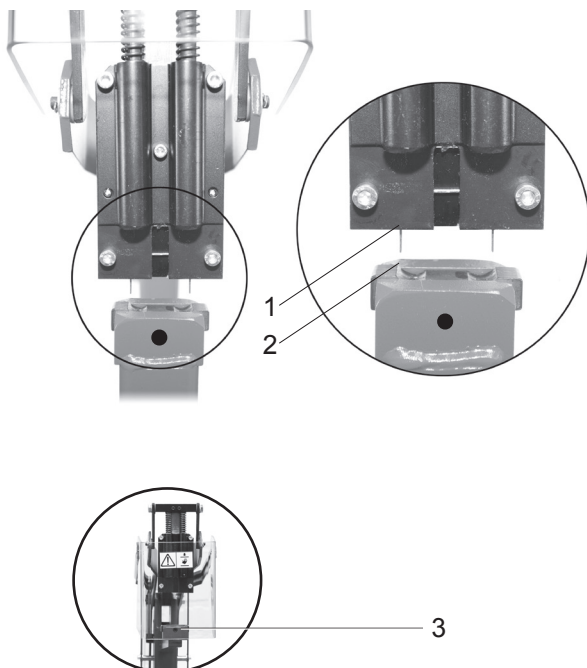


Fig. 14

- Von Hand eine Klammer (Fig. 14/1) nach unten drücken, bis die Klammerschenkel zusehen sind.
- Den Heftkopf von Hand nach unten drücken und kontrollieren ob die Klammer symmetrisch auf der Rillplatte (Fig. 14/2) auftrifft.
- Falls notwendig, die vordere Schraube (Fig. 14/3) lösen und die Rillplatte gegenüber der Klammer seitlich justieren. Danach vordere Schraube wieder festziehen.
- Machen Sie eine Probeklammerung in einen Karton. Wenn die Rillplatte korrekt eingestellt ist, sollte die Klammerung wie in (Fig. 13/2) aussehen.

7.6 HEFTKOPF ERSETZEN

1. Maschine vom Luftanschluss trennen.
2. Entfernen Sie die restlichen Klammern und bringen Sie den Schieber in die vordere Position.
3. Zwei Sechskantschrauben (Fig. 15/1) oben am Gestänge entfernen.
4. Zwei Zylinderkantschrauben (Fig. 15/2) mit denen der Heftkopf hinten befestigt ist entfernen.
5. Heftkopf entfernen und ersetzen. Der Einbau erfolgt in umgekehrter Reihenfolge.
6. Einstellung der Rillplatte prüfen (Siehe Kapitel 7.5).

7.7 DRUCKFEDER UND SCHIEBER ERSETZEN

1. Heftkopf entfernen (siehe Kapitel 7.6).
2. Spannstift (Pos. 22, Explosionszeichnung auf Seite 53) mit 4,9 mm Durchschlag entfernen.
3. O-Ring (Pos. 26) und Stift (Pos. 24) entfernen.
4. Schieber (Pos. 12), Magazinefeder (Pos. 18) mit Distanzring (Pos. 25) entfernen.
5. Defekte Teile entfernen und ersetzen.
6. Der Einbau erfolgt in umgekehrter Reihenfolge.
7. Einstellung der Rillplatte prüfen (Siehe Kapitel 7.5).



Fig. 15

7.8 TREIBERPLATTE UND DRUCKFEDERN ERSETZEN

1. Heftkopf entfernen (siehe Kapitel 7.6).
2. Vier Zylinderschrauben (Fig. 16/1) entfernen und Baugruppe von Führung entfernen.
3. Zylinderschraube (Fig. 16/2) lösen und Federführung entfernen.
4. Mit einem grossen Schraubendreher in den Kanal einfahren und drehen bis sich die beiden Stiften von der Frontplatte lösen.
5. Treiberplatte (Pos. 6, Explosionszeichnung auf Seite 53) entfernen.
6. Defekte Teile entfernen und ersetzen.
7. Der Einbau erfolgt in umgekehrter Reihenfolge. Bitte beachten Sie, dass die Fase auf der Treiberplatte nach hinten gegen die Heftklammern gedreht sein muss.
8. Heftkopf montieren (siehe Kapitel 7.6)
9. Einstellung der Rillplatte prüfen (Siehe Kapitel 7.5).

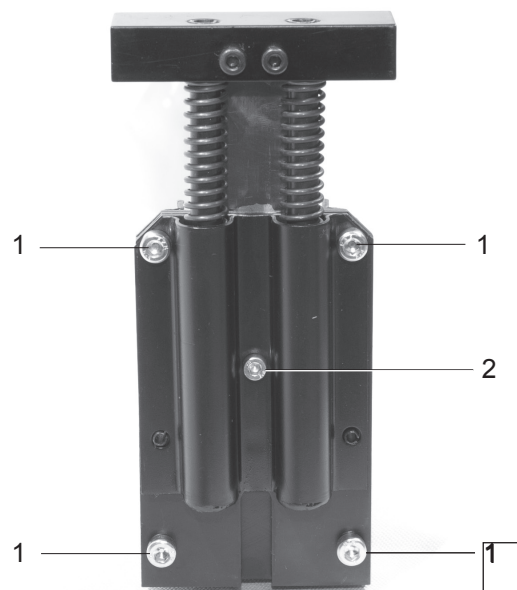


Fig. 16

8

STÖRUNGSBEHEBUNG



Für Störungsbehebung zuerst die Flachhefter von der Druckluftzufuhr trennen.

STÖRUNG	BEHEBUNG
Klammern werden nicht vorgeschoben	<ul style="list-style-type: none"> – Kontrollieren ob Original-Klammern verwendet werden. Immer Josef Kihlberg Originalklammern verwenden. – Kontrollieren ob die Magazinfeder in Ordnung ist. Nötigenfalls ersetzen. – Kontrollieren ob der Schieberkolben in Ordnung ist. Nötigenfalls ersetzen. – Schmutz in der Klammerbahn beseitigen. – Kontrollieren ob die Druckfedern im Heftkopf in Ordnung sind. Nötigenfalls ersetzen.
Klammern werden beim Heften deformiert	<ul style="list-style-type: none"> – Kontrollieren ob das Heftkopflager spielfrei ist (siehe Kapitel 7.4). – Kontrollieren ob die Rillplatte korrekt zentriert ist (siehe Kapitel 7.5). – Kontrollieren ob die Treiberplatte in Ordnung ist. Nötigenfalls ersetzen. – Schmutz in der Klammerbahn beseitigen.
Geräuschpegel ist zu hoch	<ul style="list-style-type: none"> – Kontrollieren dass der Luftdruck 5 bar nicht überschreitet. – Kontrollieren ob die Taktgeschwindigkeit nicht unnötig zu hoch ist.
Karton wird vom Heftkopf beschädigt	<ul style="list-style-type: none"> – Kontrollieren dass der Luftdruck 5 bar nicht überschreitet. – Kontrollieren ob die Taktgeschwindigkeit nicht unnötig zu hoch ist.
Karton wird beim Heften schlecht zusammengepresst	<ul style="list-style-type: none"> – Kontrollieren ob die Kolbenstangenlänge richtig eingestellt ist. Nötigenfalls einstellen.
Steckengebliebene Klammer entfernen	<ul style="list-style-type: none"> – Siehe Kapitel 7.3

FRANÇAIS**TABLE DES MATIÈRES**

	Page
1 Données techniques	38
2 Instructions générales	39
2.1 Remarque relative à la protection de l'environnement	39
3 Instructions de sécurité	40
4 Description	41
4.1 Modules principaux	41
4.2 Fonctionnement	41
5 Mise en service	42
5.1 Mise en service	42
5.2 Raccordement pneumatique	42
6 Mode d'emploi	43
6.1 Chargement du magasin avec agrafes	43
6.2 Maniement de l'agrafeuse pour fonds et côtés de cartons	44
6.3 Contrôler l'agrafage	45
7 Instruction de service	46
7.1 Lubrification	46
7.2 Nettoyage	46
7.3 Enlèvement d'une agrafe bloquée	46
7.4 Ajustement du palier de la tête d'agrafage	47
7.5 Ajustement de l'enclure	47
7.6 Remplacement de la tête d'agrafage	48
7.7 Remplacement du ressort et de la barrette	48
7.8 Remplacement de la plaque d'entraînement et des ressorts de pression	48
8 Dépannage	49
9 Pièces de rechange recommandées	50
Vue éclatée	51
10 Liste des pièces - tête HH561/12-22	52
Vue éclatée	53

1**DONNÉES TECHNIQUES**

Poids	42 kg
Encombrement	Longueur 920 mm Largeur 750 mm Hauteur 1350 mm
Capacité du chargeur	300 agrafes
Largeur de branche des agrafes	15 - 22 mm
Profondeur de mise en place	400 mm
Hauteur de travail	1000 mm
Pression d'air (max)	7 bar
Pression de travail d'air comprimé recommandée	5 bar
Consommation d'air comprimé à 6 bar	2,0 litres
Niveaux de pression acoustique, évaluation type A à la place de travail	84 dB
Niveau énergétique, évaluation de type A	91 dB

Agrafes

Agrafe JK561-15K	No d'article 400145
Agrafe JK561-18K	No d'article 400153
Agrafe JK561-22K	No d'article 400158

SE JOSEF KIHBERG AB

Industrigatan 37B

SE-544 50 HJO

Telephone: +46 503 328 00

Fax: +46 503 328 01

E-mail: reception@kihlberg.se

Internet: www.kihlberg.com

DÉCLARATION DE CONFORMITÉ

Nous déclarons sous notre propre responsabilité que l'appareil F561PN A ci-dessus, au sujet duquel se réfère cette déclaration, est conforme avec les prescriptions en vigueur de la directive du conseil du 17 mai 2006 (2006/42/CE) "Directive pour machines".

Normes considérées: ISO 12100:2010

SE-544 50 HJO, 04.05.2020

Plant Manager:

Thor-Björn Elmers

Le responsable pour la publication de la documentation technique: Josef Kihlberg AB, Industrigatan 37B, SE-544 50 HJO

2

INSTRUCTIONS GÉNÉRALES



PRUDENCE!

Utilisé si risque de mort ou d'atteinte à la santé.

Ces instructions de service doivent faciliter la connaissance de l'appareil et les possibilités d'utilisation selon les règles. Les instructions de service contiennent d'importants renseignements, à savoir comment l'appareil doit fonctionner en toute sécurité, selon les critères professionnels et d'une manière économique. Les respecter aide à éviter les dangers, à diminuer les réparations et les temps d'arrêt et à augmenter la fiabilité de l'appareil et sa durée de vie.

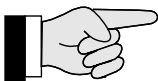


ATTENTION!

Utilisé si risque de casse matérielle.

Les instructions de service doivent constamment être à disposition sur le lieu d'utilisation de l'appareil. Elles doivent être lues et appliquées par toutes les personnes qui sont chargées de travaux sur l'appareil.

Ces travaux comprennent en particulier le service, l'alimentation des consommables, l'élimination des pan-nes et l'entretien.



REMARQUE!

Utilisé pour les remarques générales et pour les remarques qui, si on ne les respecte pas, entraînent des perturbations de fonctionnement.

En plus des instructions de service et des règlements pour la protection contre les accidents valables dans le pays et à l'endroit d'utilisation, il faut également appliquer les règles de sécurité techniques pour un travail professionnel et en sécurité.

2.1 REMARQUE RELATIVE À LA PROTECTION DE L'ENVIRONNEMENT

Cet appareil est fabriqué sans aucun matériau nuisible pour la santé. L'élimination de cet appareil doit être effectuée en respectant les lois nationales.

3

INSTRUCTIONS DE SÉCURITÉ



Renseignez-vous!
Avant l'utilisation de l'appareil, consultez soigneusement le mode d'emploi.



N'utilisez que des agrafes d'origine Josef Kihlberg!



Protégez-vous!
Au cours du travail, porter des protections acoustiques et de lunettes de protection.



N'utilisez que des pièces de rechange d'origine Josef Kihlberg!
En cas contraire Josef Kihlberg peut refuser les prestations de garantie.



Prudence: danger d'écrasement!
Ne pas placer les doigts sous le capot de protection. Ne pas enlever le capot de protection.

Utilisation conforme

Cette agrafeuse pour fonds et côtés de cartons est conçue pour l'agrafage du carton ondulé.



Attention: danger de trébucher!
Déplacer le tuyau d'air comprimé de manière à ce qu'il ne présente aucun danger de trébucher.

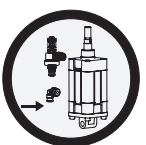
Cette agrafeuse pour fonds et côtés de cartons a été conçue et construite pour un maniement sûr au cours du processus d'agrafage.



La pression d'air comprimé ne doit pas être supérieure!
La pression d'air comprimé recommandée ne doit pas dépasser.

Utilisation abusive

Cette agrafeuse pour fonds et côtés de cartons peut être utilisée exclusivement avec du carton ondulé.



Employez toujours un raccord d'air!
Employez toujours un accouplement de sûreté comme raccord d'air.

Travaux de maintenance

Suivant les conditions de travail et les contraintes, les travaux de maintenance périodiques suivants sont à effectuer:

- contrôle quotidien de la pression d'air comprimé (4–6 bar)
- contrôle régulier de l'unité de maintenance (niveau d'huile, collecteur d'eau, filtres)
- nettoyer l'appareil régulièrement (voir chapitre 7.6)
- vérifier régulièrement l'état de l'appareil à propos d'éventuelles déficiences ou de pièces usées. Ne travaillez jamais avec un appareil présentant des pièces défectueuses ou usées (chapitre 7.1 et 7.2).



Bouteilles gaz ou d'air comprimé interdites!
Interdiction de branchement de l'appareil à une bouteille de gaz ou d'air comprimé.

4

DESCRIPTION

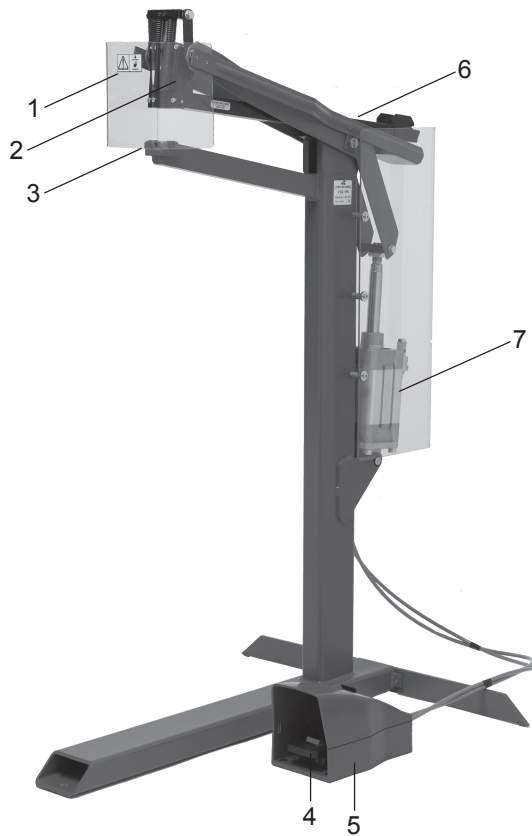


Fig. 1

4.1 MODULES PRINCIPAUX

- 1 Couvercle de protection
- 2 Tête d'agrafage
- 3 Enclume
- 4 Verrouillage de sécurité
- 5 Interrupteur pédale
- 6 Poussoir
- 7 Vérin pneumatique



Fig. 2

4.2 FONCTIONNEMENT

1. Le vérin pneumatique (Fig. 2/1) est activé par la pédale (2/2).
2. L'activation de la pédale déclenche la pression du vérin (Fig. 2/3) contre le carton ondulé positionné manuellement.
3. La tête d'agrafage presse automatiquement une agrafe à travers le carton et puis contre l'enclure.
4. Lorsque la pédale est désactivée, la tête d'agrafage remonte. L'agrafeuse pour fonds et côtés de cartons est prête pour l'agrafage suivant.



Avant le processus d'agrafage, il faut s'assurer qu'aucune partie du corps ne se trouve placée sous le capot de protection.

5

MISE EN SERVICE

5.1 MISE EN SERVICE


L'agrafeuse pour fonds et côtés de cartons est livrée avec le pied arrière démonté. Monter la machine de la manière suivante:

1. Sortir l'agrafeuse pour fonds et côtés de cartons ainsi que le pied arrière de l'emballage.
2. Fixer le pied arrière avec les deux vis fournies, voir Fig. 3/1.
3. Placer l'agrafeuse pour fonds et côtés de cartons sur une surface plane et propre.



Déplacer le tuyau d'air comprimé de manière à ce qu'il ne présente aucun danger de trébucher.

5.2 RACCORDEMENT PNEUMATIQUE

 Par conséquent, la condition impérative pour un fonctionnement fiable de l'appareil est une alimentation sans défaillances en air comprimé traité. Cette condition n'est remplie que par l'utilisation d'une unité de traitement composée d'un déshumidificateur, d'une soupape de réduction de pression, d'un manomètre et d'un dispositif de création de brouillard d'huile.

Le trou du tuyau doit être au minimum de 10 mm. Il faut veiller à ce que le tuyau ne fasse pas de boucles dans lesquelles de l'huile pourrait stagner.

Régler l'air comprimé à la pression la plus faible à laquelle les agrafes sont encore pliées correctement.



Commencez avec une pression d'environ 5.0 bar, puis augmentez la pression par pas de 0,5 bar jusqu'à ce que les agrafes soient pliées correctement.

Ne jamais dépasser la pression maximale autorisée de 8,0 bar.

Une pression d'air plus faible a pour conséquence des frais de maintenance plus avantageux!



Fig. 3

6

MODE D'EMPLOI

6.1 CHARGEMENT DU MAGASIN AVEC AGRAFES



Fig. 4



Fig. 5

- Utilisez seulement les agrafes d'origine Josef Kihlberg. (JK561-15, JK561-18 or JK561-22). La désignation précise est indiquée à chaque tête d'agrafage
- Tirer le piston de coulisseau vers l'arrière et soulever le capot du chargeur. Le piston de coulisseau est fixé.

- La bande d'agrafes est introduite de l'arrière.
- Ne jamais remplir exagérément le chargeur, sinon le piston de coulisseau peut être endommagé lors de l'abaissement du capot.

- Abaisser le capot du chargeur et déplacer précautionneusement le piston de coulisseau vers l'avant.



Ne lâchez jamais le poussoir de l'arrière quand le magasin est vide. Amenez le avec précaution à la main.

Fig. 6

6.2 MANIEMENT DE L'AGRAFEUSE POUR FONDS ET COTES DE CARTONS

- Au cas où le chargeur de tête d'agrafage est vide, le remplir avec des agrafes, voir chapitre 6.1. Vérifier que les agrafes adéquates sont utilisées (longueur d'épaulement), voir chapitre 6.3.
- Positionner le carton ondulé àagrafer sous le capot de protection.



Avant le processus d'agrafage, s'assurer qu'aucune partie du corps ne se trouve sous le capot de protection.

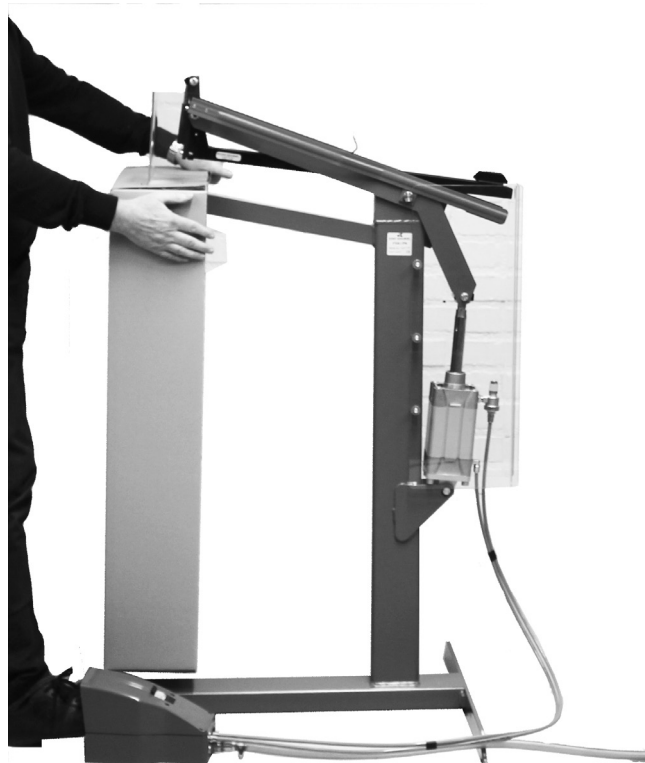


Fig. 7

- Actionner la pédale. La tête d'agrafage descend, l'agrafe est pressée et pliée contre l'enclure.



Fig. 8



Fig. 9

- Désactiver la pédale. La tête d'agrafage monte.
- Déplacer le carton ondulé vers la nouvelle position d'agrafage et actionner à nouveau la pédale. Répéter le processus jusqu'à un nombre suffisant d'agrafages.

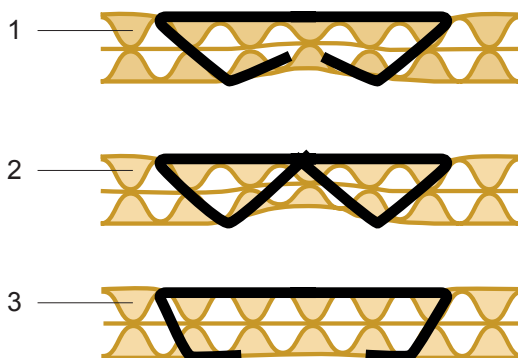


Fig. 10

6.3 CONTRÔLER L'AGRAFAGE

- 1 Agrafage correct
- 2 Largeur d'agrafe trop grande
- 3 Largeur d'agrafe trop petite



N'utiliser que des agrafes d'origine Josef Kihlberg (JK561-15, JK561-18 ou JK561-22).

7

INSTRUCTION DE SERVICE



En tous cas d'entretien l'outil est d'abord à débrancher de l'air comprimé.

7.1 LUBRIFICATION

Les paliers d'articulation sont graissés à la livraison. En cas de besoin on les regraisse de l'huile, comme les paliers de la tête d'agrafage. Il faut également lubrifier régulièrement les paliers ainsi que toutes les pièces mobiles de la tête d'agrafage avec quelques gouttes d'huile.

7.2 NETTOYAGE

Cette agrafeuse pour fonds et côtés de cartons ne nécessite pas de maintenance particulière. Nettoyer la machine régulièrement avec un détergent non agressif (non corrosif). Les petites pièces doivent être retirées pour le nettoyage!



Vérifier quotidiennement le fonctionnement correct de tous les dispositifs de sécurité.

Il faut tout particulièrement vérifier:

- le fonctionnement correct de l'attache de sécurité de la pédale ainsi que le fonctionnement du capot de sécurité.
- que toutes les vis et les écrous sont serrés correctement.

7.3 ENLÈVEMENT D'UNE AGRAFE BLOQUÉE



En tous cas d'entretien l'outil est d'abord à débrancher de l'air comprimé.

- Tirer le piston du coulisseau vers l'arrière afin de décharger l'étau d'agrafage.
- Desserrer d'un tour les cinq vis à tête cylindrique (Fig. 11/1 et 11/2).
- Retirer vers le bas les agrafes coincées.
- Resserrer les cinq vis à tête cylindrique.

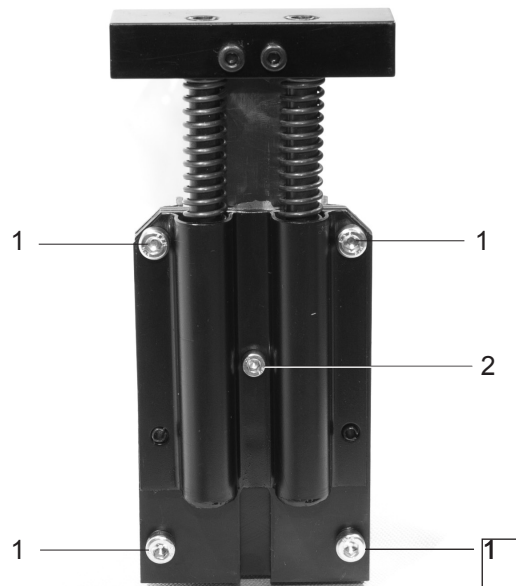


Fig. 11

7.4 AJUSTEMENT DU PALIER DE LA TÊTE D'AGRAFAGE

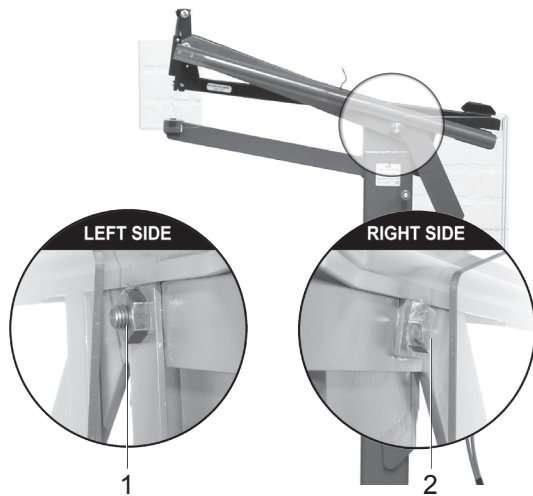


Fig. 12

7.5 AJUSTEMENT DE L'ENCLURE

Chaque outil a été testé strictement avant la livraison. C'est toutefois possible qu'une vis se desserre pendant le transport et on faut absolument vérifier l'ajustement de l'enclure.

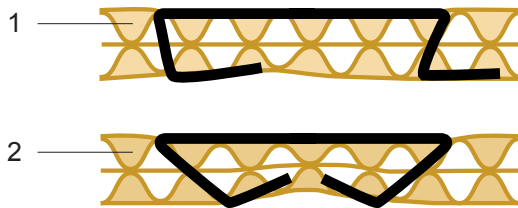


Fig. 13

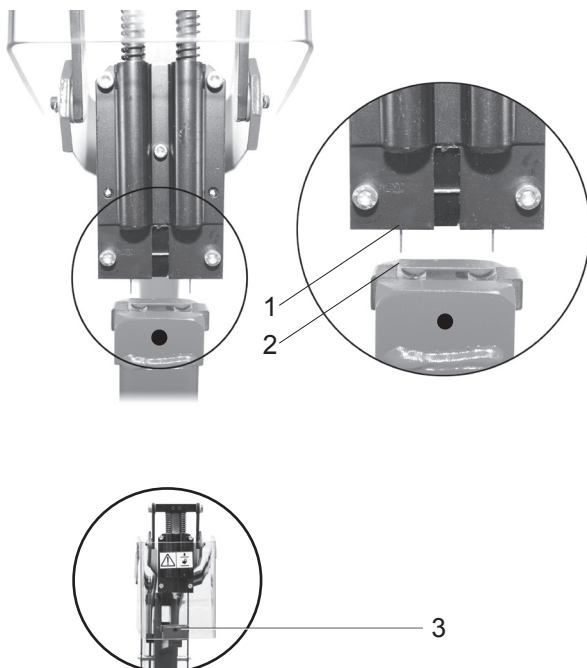


Fig. 14

- Poussez une agrafe (Fig. 14/1) en bas à la main jusqu'à les jambes sont visibles.
- Abaissez la tête d'agrafe et vérifiez que la position de l'agrafe est symétrique à l'enclure (14/2). En cas de besoin, desserrez la vis (14/3) et ajustez l'enclure latéralement. N'oubliez pas à resserrer la vis après l'ajustement.
- Faites un agrafage d'épreuve dans une pièce de carton. Lorsque l'enclure est réglée correctement, l'agrafage doit avoir l'allure indiquée en Fig. 13/2.

7.6 REMPLACEMENT DE LA TÊTE D'AGRAFAGE

1. Débrancher l'air comprimé de la machine.
2. Retirer les agrafes restantes et amener le coulisseau en position frontale.
3. Retirer les deux vis à tête hexagonale (Fig. 15/1) sur la partie supérieure du levier.
4. Les deux vis à tête hexagonale (Fig. 15/2) fixant la tête d'agrafage à l'arrière doivent être retirées.
5. Retirer et remplacer la tête d'agrafage. Le montage a lieu dans l'ordre inverse du démontage.
6. Vérifier le réglage de l'enclure (voir chapitre 7.5).

7.7 REMPLACEMENT DU RESSORT DE PRESSION ET DU COULISSEAU

1. Retirer la tête d'agrafage (voir chapitre 7.6).
2. Chasser la goupille de serrage (pos. 22, vue éclatée page 53) à l'aide d'un poinçon de 4,9 mm.
3. Retirer l'O-ring (pos. 26) et la goupille (pos. 24).
4. Retirer le coulisseau (pos. 12) et le ressort de chargeur (pos. 18) avec la rondelle d'écartement (pos. 25).
5. Retirer et remplacer les pièces défectueuses.
6. Le montage s'effectue dans l'ordre inverse du démontage.
7. Vérifier le réglage de l'enclure (voir chapitre 7.5).

7.8 REMPLACEMENT DE LA PLAQUE D'ENTRAÎNEMENT ET DES RESSORTS DE PRESSION

1. Retirer la tête d'agrafage (voir chapitre 7.6).
2. Retirer les quatre vis à tête cylindrique (fig. 16/1) et retirer le sous-groupe du guidage.
3. Desserrer la vis à tête cylindrique (fig. 16/2) et retirer le guide du ressort.
4. Insérer un gros tournevis dans le canal et tourner jusqu'à ce que les deux goupilles se détachent de la plaque frontale.
5. Retirer la plaque d'entraînement (pos. 6, vue éclatée page 53).
6. Retirer et remplacer les pièces défectueuses.
7. Le montage a lieu dans l'ordre inverse du démontage. Remarquer que le chanfrein sur la plaque d'entraînement doit être tourné vers l'arrière contre les agrafes.
8. Monter la tête d'agrafage (voir chapitre 7.6).
9. Vérifier le réglage de l'enclure (voir chapitre 7.5).



Fig. 15

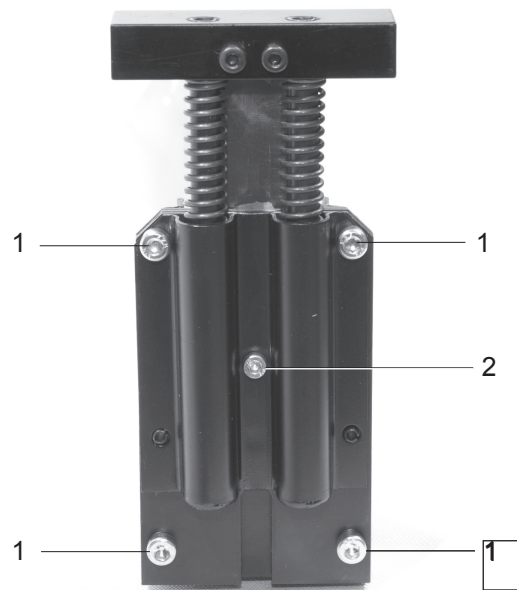


Fig. 16

8

DÉPANNAGE



En tous cas dépannage l'outil est d'abord à débrancher de l'air comprimé.

PANNE

INTERVENTION

L'alimentation en agrafes ne se fait pas convenablement

- Contrôler:
- que le type d'agrafes est bien le bon; **toujours utiliser des agrafes d'origine Josef Kihlberg.**
 - que le ressort du magasin est en bon état.
 - que le poussoir de l'agrafeuse est en état.
 - que le rail d'amenée des agrafes est propre et n'est pas encrassé.
 - que le ressort de retour de la tête d'agrafage est en bon état.

Les agrafes se déforment lors de l'agrafage

- Contrôler:
- que le palier de la tête d'agrafage n'a pas trop de jeu (voir chapitre 7.4).
 - que l'enclume est bien centrée (voir chapitre 7.5).
 - que la lame poussoir n'est pas endommagée. Si nécessaire, remplacez.
 - que le rail d'amenée des agrafes est propre.

L'outil fait trop de bruit

- Contrôler:
- la pression de l'air comprimé (5 bar)
 - que le nombre de coups/mn n'est pas inutilement élevé

La tête d'agrafage casse le carton

- Contrôler:
- la pression de l'air comprimé (5 bar)
 - que le nombre de coups/mn n'est pas inutilement élevé.

A l'agrafage, les éléments du carton ne sont convenablement rassemblés

- Contrôler:
- le réglage de la longueur de la tige du piston. Si nécessaire, remplacez.

Enlèvement d'une agrafe bloquée

- voir chapitre 7.3.

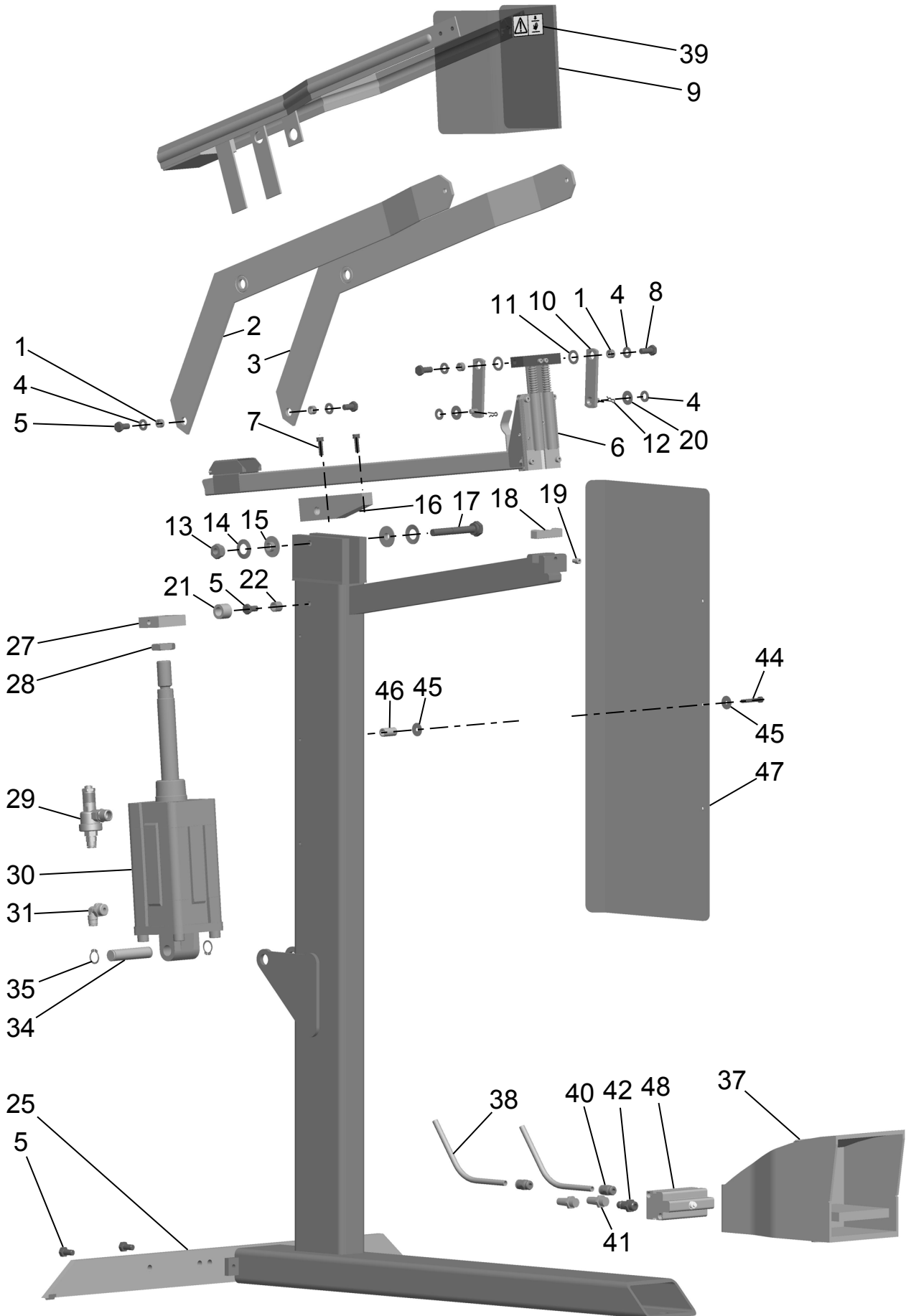
9

		Parts list F561PN	Reservdelista F561PN	Teilleiste F561PN	
		When ordering please indicate part number	Vid beställning var vänlig ange artikelnummerna	Bei Bestellungen immer Artikel-Nr. angeben	
Pos.	Part No. Artikelnr. Artikel-Nr.	Part Name	Benämning	Benennung	Quantity Antal Stückzahl
1	150332	Spacer	Lagerdistantring	Distanzring	4
2	163241	Lever right	Hävarm höger	Hebelarm rechts	1
3	163240	Lever left	Hävarm vänster	Hebelarm links	1
4	947015	Washer	Planbricka	U-Scheibe	6
5	946558	Screw	Skruv	Sechskantschraube	5
6	120582	Stapling head	Häft huvud	Heftkopf	1
7	946538	Screw	Skruv	Zylinderschraube	2
8	946559	Screw	Skruv	Sechskantschraube	2
9	139284	Protector	Skydd	Schutzabdeckung	1
10	134060	Link	Apparatlänk komplett	Gelenk	2
11	148043	Washer	Bricka	U-Scheibe	2
12	951001	Lock washer	Axelsäkring	Achsensicherung	2
13	146182	Nut	Mutter	Mutter	1
14	975003	Cup spring	Tallriksfjäder	Tellerfeder	2
15	150225	Bushing	Bussning	Büchse	2
16	156568	Bracket	Konsol	Support	1
17	146183	Pin	Axel	Sechskantschraube	1
*18	158145	Anvil	Häftstäd	Rillplatte	1
19	946524	Screw	Skruv	Zylinderschraube	1
20	148044	Washer	Bricka	U-Scheibe	2
21	149059	Bumper	Dämpare	Dämpfer	1
22	150262	Spacer	Distantring	Distanzring	1
25	153051	Rear foot	Bakre fot	Hinterer Fuss	1
27	163294	Upper knee	Övre knä	Plate	1
28	946044	Nut	Mutter	Mutter	1
29	991067	Fast deaerator	Snabbavluftare komplett	Entlüftungsventil	1
30	936003	Pneumatic cylinder	Pneumatisk cylinder	Druckluftzylinder	1
31	987171	Elbow	V-koppling	L-Steckverschraubung	1
34	981000	Pin	Axel	Zylinderstift	1
35	951010	Ciclip	Axelsäkring	Aussen-Sicherungsring	2
37	139546	Foot valve	Fotventil	Fussschalter	1
38	992001	Hose	Slang	Schlauch	
39	110315	Warning label	Varningsskylt	Warnhinweis	1
40	987063	Nippe	Insticksnippel	Nippel	2
41	971004	Sound absorber	Ljuddämpare	Schalldämpfer	2
42	987023	Nippe	Insticksnippel	Nippel	1
44	946785	Screw	Skruv	Zylinderschraube	6
45	947053	Washer	Bricka	U-Scheibe	12
46	150455	Spacer	Distans	Büchse	6
47	142160	Protector	Skydd	Schutzabdeckung	2

* Recommended wear parts

* Rekommenderade slitdelar

* Empfohlene Verschleisssteile



10

		Parts list Head HH561/12-22	Reservdelslista HH561/12-22	Teileliste Heftkopf HH561/12-22		
		When ordering please indicate part number	Vid beställning var vänlig ange artikelnummerna	Bei Bestellungen immer Artikel-Nr. angeben		
Pos.	Part No. Artikelnr. Artikel-Nr.	Part Name	Benämning	Benennung	Quantity Antal Stückzahl	
	120582	Stapling head cpl.	Häft huvud komplett	Heftkopf kpl.		
1	162177	Front plate	Kuliss, främre	Vordere Platte	1	
2	162184	Spacer, left	Distansplatta, vänster	Abstandplatte links	1	
3	162185	Spacer, right	Distansplatta, höger	Abstandplatte rechts	1	
4	166093	Back plate	Kuliss, bakre	Rückplatte	1	
5	135563	Connecting yoke	Ok	Platte	1	
*	6	164025	Driver blade	Drivare	Treiberplatte	1**
7	150085	Spacer	Distanshylsa	Distanzring	1**	
* 8	173144	Spring	Tryckfjäder	Druckfeder	2**	
9	156184	Spring guide	Fjäderstyrning	Federführung	1	
10	143132	Rail	Klammerbana	Führung	1	
12	133178	Pusher	Frammatare	Schieber	1	
13	946591	Screw	Skruv	Zylinderschraube	2	
14	946021	Nut	Mutter	Mutter	3**	
15	946613	Screw	Skruv	Zylinderschraube	2	
16	946002	Nut	Mutter	Mutter	2	
17	945025	Tension pin	Spännstift	Spannstift	2	
* 18	174021	Feed spring	Frammmatarfjäder	Magazinfeder	1**	
20	150086	Washer	Bricka	U-Scheibe	1**	
21	946533	Screw	Skruv	Zylinderschraube	1**	
22	945022	Tension pin	Spännstift	Spannstift	1**	
24	145169	Pin	Låspinne	Stift	1**	
25	150071	Roller	Fjäderdistans	Distanzring	2	
26	972031	O-ring	O-ring	O-ring	1**	
28	157088	Carton protector	Kartongskydd	Kartonschutz	1	
29	946653	Screw	Skruv	Zylinderschraube	2	
30	946009	Nut	Mutter	Mutter	2	
31	110327	Lable magazine	Magasinsskylt	Magazinschild	1	

* Recommended wear parts

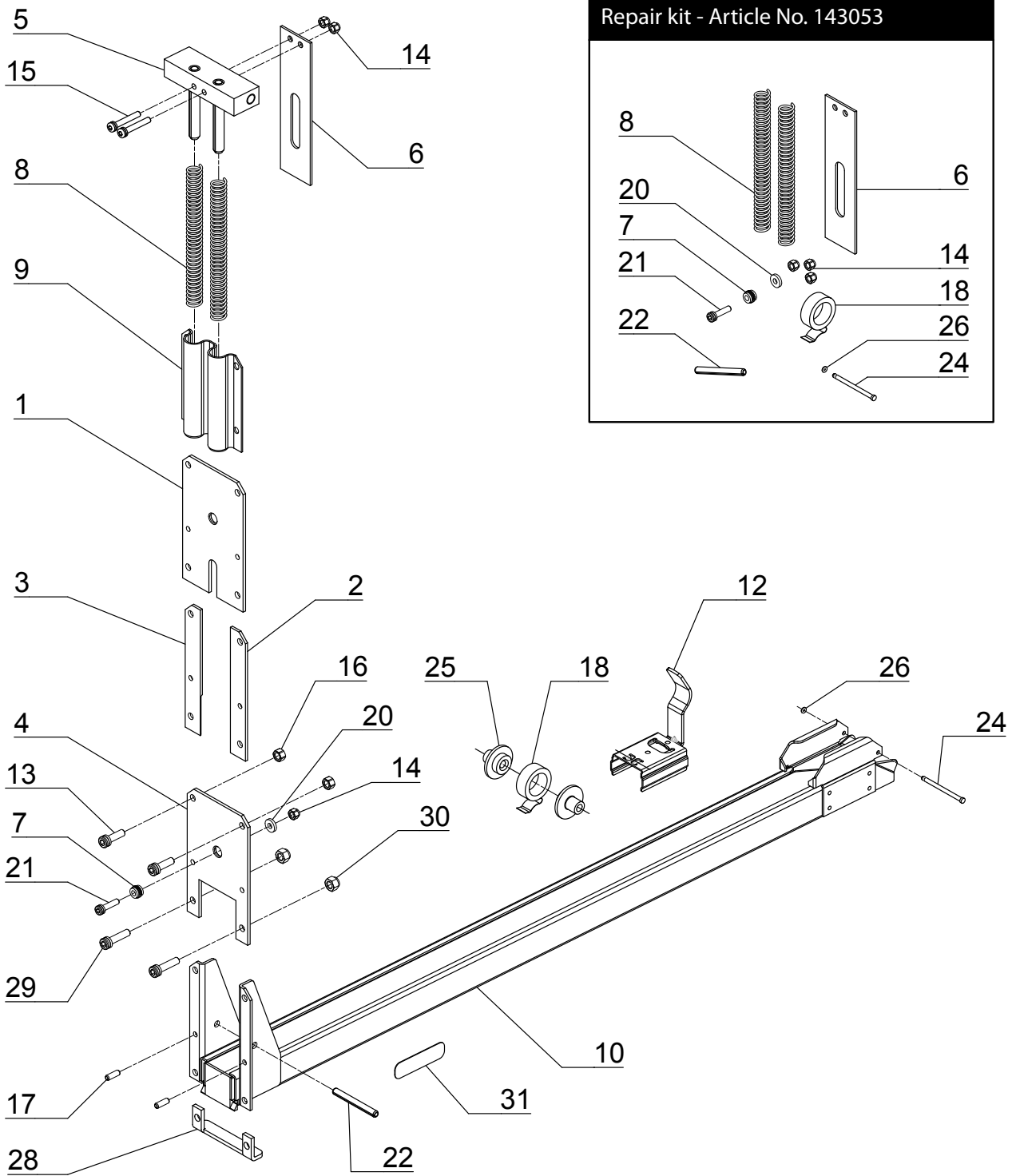
** Included in repairkit-
Article No. 143053

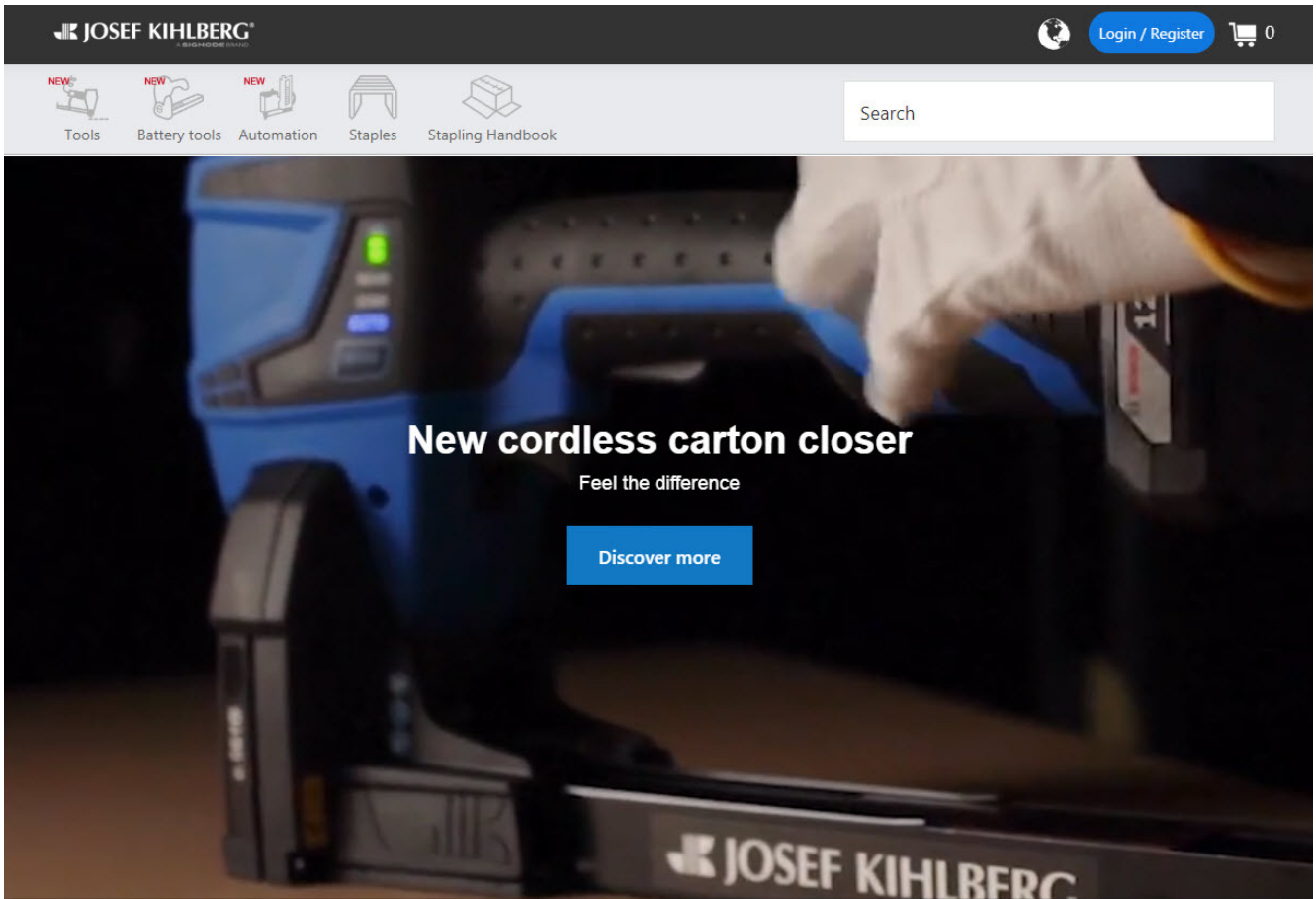
* Rekommenderade slitdelar

** Inkluderad i reparationssats
Art. Nr. 143053

* Empfohlene Verschleissteile

** In Reperaturset Artikel Nr. 142053
enthalten





Manufacturer / Customer service

Josef Kihlberg AB
Industrigatan 37B
544 50 Hjo, SWEDEN
signode.com



(or local service center)

© Josef Kihlberg AB 2020